

Display Indicator FT819-ANXR2N



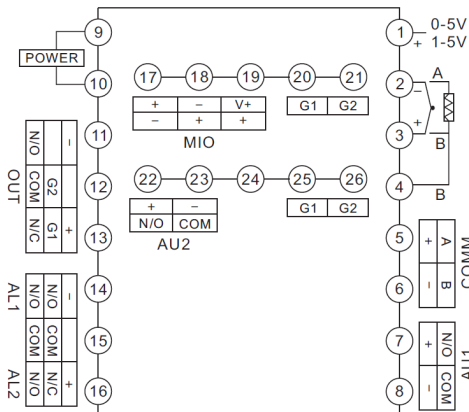
Features

- High performance accuracy 0.15 %
- Universal input support all kinds of thermocouples and RTDs
- Retransmitter control output
- Dual display window, easy to set parameter and alarms point.
- The measured value or a set value can be changed into a standard current signal output, which can be used as a temperature transmitter
- Suitable for temperature value of the precise

Technical Data

Instrument Input signal : } *In a table of input parameter*
Resolution : }
Accuracy : ± 0.15% of full scale
Response time : 80mS (when digital filter parameter InF=0)
Display type : 11-segment digital LED display
Display units : °C, °F or not show the unit
Operating temperature : 0...60°C
Operating humidity : 0...90 %RH
Signal output : 4...20mA (maximum load resistor 500Ω)
Communication output : Modbus-RTU RS-485 (option)
Relay output : 2 x relay, 3A/250VAC or 5A/30VDC
Power supply : 100...240Vac, 50/60Hz or 24 Vdc
Current consumption : 5.2 VA (100...240Vac), 3 VA (12...24Vdc)
Dimension : 96 x 96 mm (WxH)
Protection class : IP65 (front), IP20 (back)

Wiring Diagram



Ordering code

FT819 - ANXR2N -

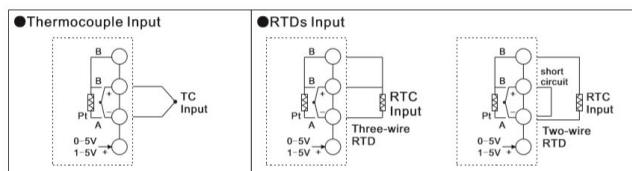
- : 100...220 Vac
D : 24Vdc

N : 4...20mA, 2 Alarm Relay
S : 4...20mA, 2 Alarm Relay, RS485

Table of input parameter

	Input type	Display range	Resolution
Thermocouple	TC K	-50...+1300 °C	0.1 °C
	TC S	-50...+1700 °C	1 °C
	TC R	-50...+1700 °C	1 °C
	TC E	0...+800 °C	0.1 °C
	TC J	0...+1000 °C	0.1 °C
	TC B	+200...+1800 °C	1 °C
	TC N	0...+1300 °C	0.1 °C
	TC T	-200...+350 °C	0.1 °C
RTDs	Pt100 (2 and 3 wire)	-200...+600 °C	0.1 °C

The wiring method of the input signal



www.omi.co.th