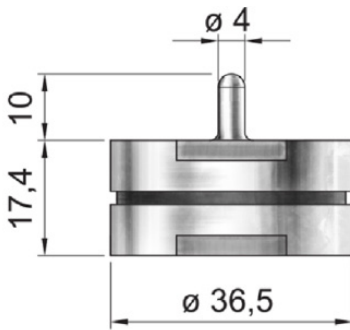


## HIGH TEMPERATURE DATA LOGGER SterilDisk Probe 10



### Drawing



unit : mm

### Application



Autoclave



Sterilization process



pasteurization process



Oven/Retort

*\*Note: Furthermore, these process that are shown, please do not hesitate to contact us for consulting*

[www.omi.co.th](http://www.omi.co.th)

**Omega Measuring Instrument Co., Ltd.**

Tel : 02-105-4676

Fax : 02-903-0080 ext. 6867

Email : [info@omi.co.th](mailto:info@omi.co.th)

Line : @omith

### Features

- Small size, High response time
- Completely food grade and waterproof
- All software calculate lethality value (F0, PU, A0 ecc.)
- User replaceable battery (software shows battery status)
- Accredia (NIST equivalent) traceable calibration certificate included
- Available extended calibration from - 20°C (order extra calibration points; in case of wide calibration range the accuracy might be worse)
- Application for Autoclave verification, Implement HACCP programs, Foods Preparation and Processing, Environmental Studies, Well Monitoring, Dishwasher Testing Pasteurization

### Technical data

**Temperature range** : -20...+140 °C

**Accuracy** : ±0.2 °C (within the calibration range)

**Resolution** : 0.01 °C

**Memory capacity** : 20,224 reading

**Battery type** : high temperature Lithium battery

**Battery life (@different interval)** : 2 years @ 1 minutes or 16 days @ 1 second [1,400,000 acquisitions @ 1 second step continuously (calculated time @25°C)]. Storage or operation above +50°C significantly reduces battery life.

**Interval** : 1 s...24hr

**Body Material** : 316 Stainless steel

**Seal material** : Fluorine Kautschuk Material (FKM : Viton®)

**Operate system** : Windows XP, Vista, 7, 8, 10

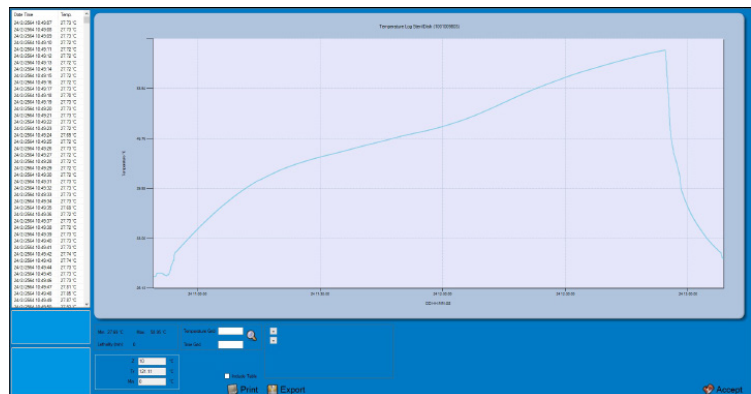
**Exporting** : PDF, Excel

**Dimension** : Φ36.5 x 17.4h mm (Body), Φ3 x 10h mm (Probe)

**Weight** : 82 g

**Pressure resistant** : 6 BarG

**Protection type** : IP68



## HIGH TEMPERATURE DATA LOGGER SterilDisk Probe 10

### Accessories

These are necessary equipments that using with products and increase efficiency.

**DiskInterface HS Mini :** is the connection bay used in SterilDisk series, P-Micro, S-Micro model for downloading data and programming all models of high temperature data loggers



**DiskInterface HS :** is the connection bay used in all model for downloading data and programming all models of high temperature data loggers



**Universal Multibay :** is the multiple connection bay used for downloading data and programming all models of high temperature data loggers. It allows to connect up to 5 data loggers of each supported model to be programmed and downloaded at the same time.



**TS17MU :** use to open data loggers for battery replacement.  
*Note : For all of **sterilDisk** model, need 2 items for opening*  
*For **others** model, need only 1 item for opening*



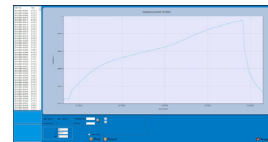
**TS01SPDB :** Battery and O-ring for SterilDisk.



**TS01SDOR :** O-rings couple for substitution on SterilDisk. (Package of 10 couples)



**SPD Software (FREE) :** It allows to start the devices setting the start delay, mission duration, notes. After download data are then displayed on graph, with zoom function, and table, exportable in Excel.



**TS Manager Software :** it allowed to do everything as a SPD software and has more functions such as multi-user, having login and password, Synchronized data table with statistics, etc. Downloadable from TecnoSoft website and works with its hardware protection key only.



[www.omi.co.th](http://www.omi.co.th)

**Omega Measuring Instrument Co., Ltd.**

Tel : 02-105-4676

Fax : 02-903-0080 ext. 6867

Email : [info@omi.co.th](mailto:info@omi.co.th)

Line : @omith