

Ultrasonic Level Meter UD800



Features

- Not effected by material property, such as pressure environments, viscosity and specific gravity
- Integrated keypad with security code
- Easy installation and low operating costs
- Can be used in a versatile of application
- Easy to set program no need to train personal
- Fully isolated analog 4-20ma output
- Better accuracy and stability in difficult conditions
- Internal temperature compensation improves accuracy
- Maintenance-free

Technical Data

Measuring range : 0...5/10/15/20/30 m

Accuracy : $\pm 0.3 \%FS$

Resolution : 1 mm

Temperature range : 0...80 °C

Blind zone : 0.4 to 1.8 m

Display : OLED

Display mode : level (m), current (mA), temperature (°C), level scale (%)

Frequency : 20...350 kHz

Body material : ABS

Signal output : 4... 20 mA (2-wire), RS-485 (option)

Relay output : 250 Vac, 5 A or 24 Vdc, 10 A x 2 Channel (option)

Electrical interface : M20x1.5

Installation : M60x2

Power consumption : <1.5 W

Power supply : 24 Vdc

Dimension : $\Phi 92$ mm x 198 mm

Protection : IP68 (sensor), IP65 (body)



Display

$\frac{10}{21C}$ **0.641** _M level

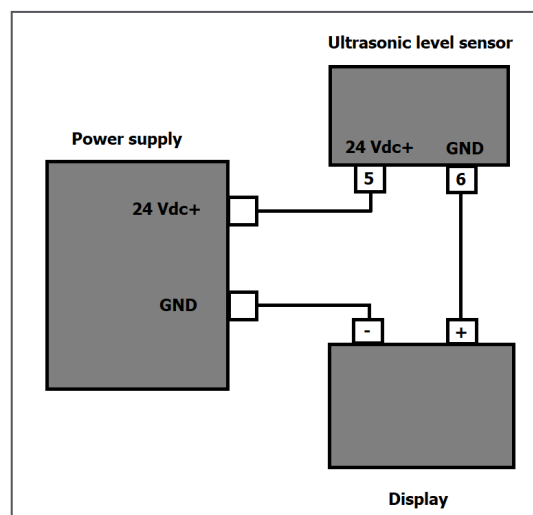
$\frac{10}{21C}$ **05.61** _A current

$\frac{10}{21C}$ **20.9** _C temperature

www.omi.co.th

บริษัท โอเมก้า เมชเชอริง อินสตรูमेंท์ จำกัด
Tel : 02-105-4676
Fax : 02-903-0080 ext. 6867
Email : info@omi.co.th
Line : @omith

Wiring diagram



Ultrasonic Level Meter UD800

Ordering code

Series : UD800-A-B	
A : Measuring range	
5 : 0-5 m	
10 : 0-10 m	
15 : 0-15 m	
20 : 0-20 m	
30 : 0-30 m	
	B : Other option
	RS : with RS-485
	RL : with relay
	- : none

Example : UD800-5-RL

Ultrasonic level sensor, measuring range 0-5 m, with relay output

www.omi.co.th

บริษัท โอเมกา แมชชีนเอร์จี้ อินสตรูमेंท์ จำกัด

Tel : 02-105-4676

Fax : 02-903-0080 ext. 6867

Email : info@omi.co.th

Line : @omith