

MULTICHANNEL DISPLAY INDICATOR DI3000

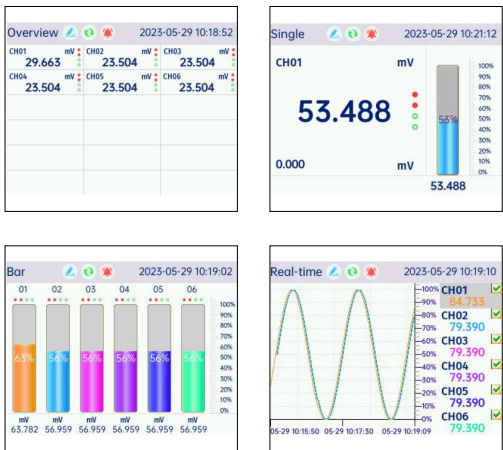


Features

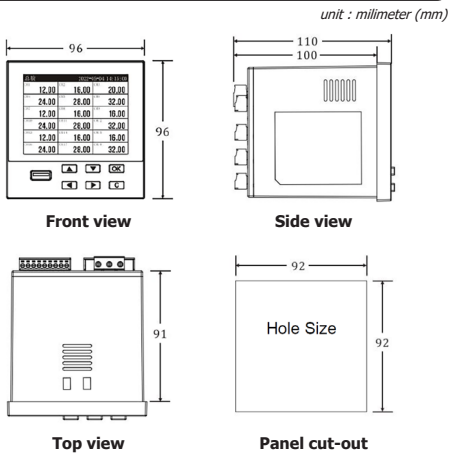
- Up to 18 universal input channels such as analog signal, thermocouple, etc.
- 3.5 inch TFT true colour LCD display, high-definition LED backlight
- available 4 relay alarm outputs
- The circuit board is coated with "anti-corrosion, moisture-proof, dust-proof".
- High-performance instrument power has strong anti-interference ability, and can effectively suppress external harmonic interference, greatly improving the stability of the whole machine.

Technical Data

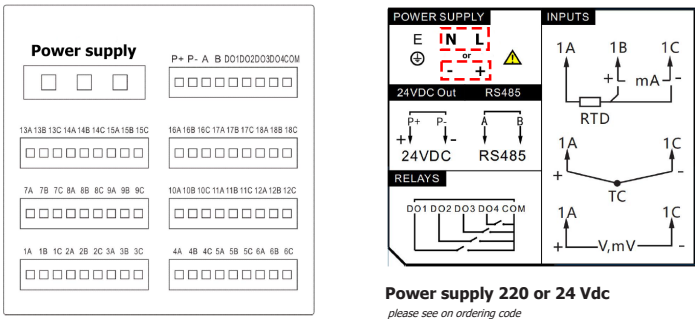
- Display :** 3.5 inch TFT true color LCD display, 320 x 240
- Input signal type :** *please see on page 2*
- Display accuracy :** *see on page 2*
- Relay output (option) :** SPST relay, normal open (NO), 2A/250VAC
- Auxiliary power :** 24Vdc, 150mA
- Communication (option):** RS485 (slave)
- Operating temperature :** 0...50°C
- Operating humidity :** 10...85 %RH (no-condensation)
- Power supply :** 220Vac, 24Vdc (option)
- Power consumption :** 10W
- Weight :** 0.37 kg
- Dimension :** 96 x 96 x 110 mm (WxHxD)
- Hole dimension :** 92 x 92 mm



Dimension



Wiring diagram



Power supply 220 or 24 Vdc
please see on ordering code

MULTICHANNEL DISPLAY INDICATOR DI3000

Input signal table

Input type		Input signal range	Error
Current		0...10 mA	±0.1 %FS
		0...20 mA	±0.1 %FS
		4...20 mA	±0.1 %FS
Voltage		-20...+20 mV	±0.2 %FS
		0...20 mV	±0.2 %FS
		0...100 mV	±0.2 %FS
		0...5 V	±0.1 %FS
		0...10 V	±0.1 %FS
		1...5 V	±0.1 %FS
Thermocouple	K	-200...-100°C	±3.3°C
		-101...+1300°C	±2.0°C
	T	-200...-100°C	±1.9°C
		-101...+400°C	±1.6°C
	S	-50...+100°C	±3.7°C
		+101...+300°C	±2.0°C
		+301...+1600°C	±1.5°C
	B	+600...+1800°C	±2.4°C
	R	-50...+100°C	±3.7°C
		+101...+300°C	±2.0°C
		+300...+1600°C	±1.5°C
	N	-200...+1300°C	±3.0°C
	E	-200...+1000°C	±2.4°C
J	-200...+1200°C	±2.4°C	
WRe5-26	0...2310°C	±4.0°C	
WRe3-25	0...2315°C	±4.0°C	
RTD	Pt100	-200...+650°C	±1.0°C
	Pt1000	-200...+200°C	±1.0°C
	Cu50	-50...+150°C	±1.0°C

www.omi.co.th

Omega Measuring Instrument Co., Ltd.

Tel : 02-105-4676

Fax : 02-903-0080 ext. 6867

Email : info@omi.co.th

Line : @omith

MULTICHANNEL DISPLAY INDICATOR DI3000

Ordering code

Serie : DI3000-X-X-X-X	
X : Input signal channel	
4 : 4 channels	
8 : 8 channels	
12 : 12 channels	
18 : 16 channels	
X : Relay output (option)	
- : No Relay output	
R1 : 1 channel Relay output	
R2 : 2 channels Relay output	
R3 : 3 channels Relay output	
R4 : 4 channels Relay output	
X : Communication (Option)	
- : No RS485	
RS : with RS485	
X : Power supply (Option)	
- : 220 Vac power suply	
P : 24 Vdc power suply	

Example : DI3000-8-R2-P

Multichannel display indicator, Input signal 8 channels, with 2 relay output, 24Vdc power supply