

Micaflex PFA-PU ver 3. Pressure- and Flow transmitter with alarm and purging function for flow sensor

MF-PFA-PU ver 3.x

APPLICATION

MF-PFA-PU is a microprocessor controlled transmitter/controller for measurement of differential pressure or flow. With an optional purging unit, PU3, the connected flow sensor can automatically be purged with set intervals.

With the four keys on the front panel it is possible to access all functions, make settings and scale the output signal. The double row, 2x16 character, LCD with backlight displays functions and values.

MOUNTING

MF-PFA-PU is designed for wall mounting but can be fitted with an optional frame kit, MFM-PANEL, for recessed mounting on wall or through a cabinet door.

OUTPUT SIGNAL

MF-PFA-PU has two analogue output signals which can be used for pressure, flow or control signal. Each output has three terminals, one for Volt DC, one for mA DC and one common zero. The outputs allow both the Volt and mA signals to be used simultaneously.

With activated purging function, the purging unit PU3 is connected to output 1 (Volt or mA). If the unit is fitted with built-in automatic zero-setting module MFM-ZP, it is connected to output 2 (Volt or mA). It is still possible to use the free output signal on both outputs for the selected source.

SUPPLY VOLTAGE

MF-PFA-PU is connected to 24 VAC or 20...32 VDC.

ALARM

MF-PFA-PU has two alarms, each independent of the other. Each alarm has it's own voltage-free changing relay output, acoustic beeper and LED indication for pressure or flow, high or low alarm level and manual or automatic reset.

CERTIFICATE

Traceable certificate of calibration included.



ACCESSORIES:

- Purging unit MF-PU3
- Modbus RTU data communication module with RS-485 interface
- Module for automatic zero setting
- Separate display unit for remote placement up to 30m beyond main unit. Two separate display units can be connected to the same main unit
- Mounting kit for recessed mounting
- Transformer external 230 VAC
- Mono block valve for manual zero setting and control

Technical Data:

Display:	Alphanumeric LCD 2 row, 2x16 characters with backlight
Power supply:	24 ± 15% VAC 20...32 VDC
Pwr consumption:	Max 3 VA (24VAC)
Pressure range: [standard]	-50...+50 Pa 0...100 Pa 0...200 Pa 0...500 Pa 0...1 kPa 0...2 kPa 0...5 kPa
Measurement error:	< ± 0,5 % of the pressure range ± 0,5 Pa
Temperature drift:	< ± 0,5 % /10 °C
Damping:	0,0...9,9 sec.
Output signal:	Two analogue outputs, 0/2...10 VDC, 0/4...20 mA selectable and scalable. Both mA and Volt output can be used simultaneously
Ambient temp:	0...50°C
Alarm:	Two separate alarms for high & low level, voltage- free changing relay and alarm indication with red LED and buzzer (joint)
Max Load Relays:	48 VAC 5A / 48 VDC 1,5A
Degree of protection:	IP 65, ABS plastic

EI-connection:	1 x 2,5 mm ² / terminal
Cable glands:	4 pcs M16x1.5mm (glands not included)
Dimensions:	WxHxD = 122x120x90 mm Height excl. standard pressure connections (30mm)
Weight:	0,86 kg

Maintenance:
It is recommended to check the zero setting every 6 months.

Accessories:

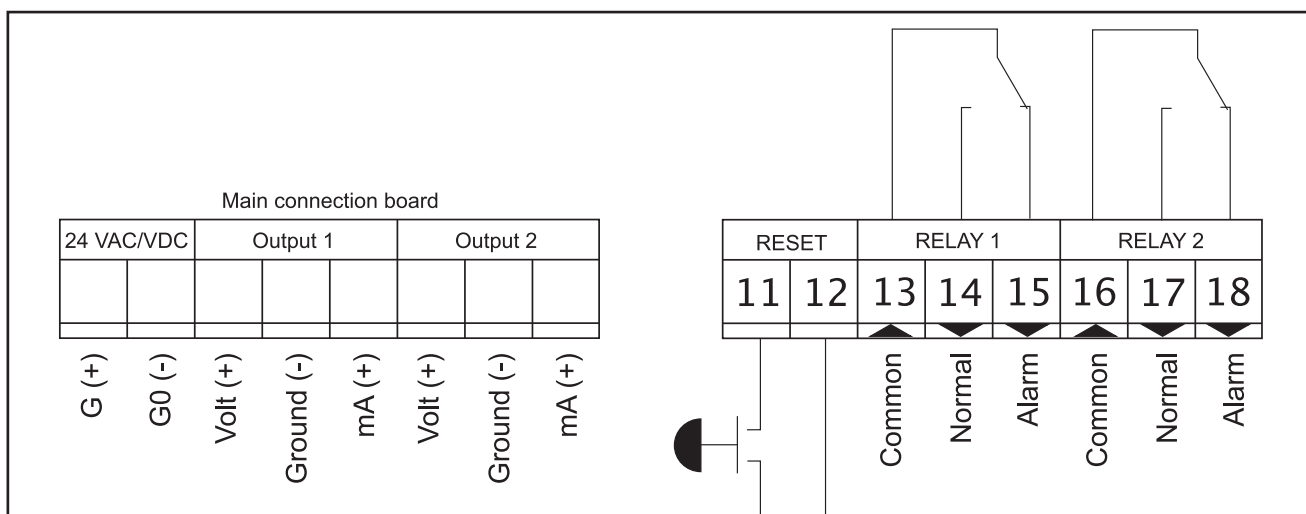
- Purging unit PU3
- Mounting kit for recessed mounting
- External transformer 24, 115, 230 VAC
- Modbus RTU data communication module with RS-485 interface
- Module for automatic zero setting
- Separate display unit for remote placement up to 30m beyond main unit. Two separate display units can be connected to the same main unit

EMC/LVD/RoHS II:

AB Micatrone declare under sole responsibility that MF-PFA-PU is in conformity with the essential requirements in the EMC-, the LVD- and the RoHS II directive. The full text of Manufacturers declaration of conformity is available on Micatrones website.

Electrical connection:

Note!. Contacts in fallen/unpowered state



AB Micatrone
Aldermansvagen 3
SE-171 48 SOLNA
SWEDEN

Telephone: +46-8-470 25 00

Internet: www.micatrone.com

E-mail: info@micatrone.se