

# PROCESS atrato™

## FEATURES

- Ultrasonic technology
- No moving parts
- 4 flow ranges
- Accuracy
  - ±1% of reading 2 - 100% range
  - ±2% of reading 0 - 2% of range
- Repeatability ±0.1% +0.005% FSD
- Pulse output, NPN and PNP
- 20 Bar rating
- 8 – 24 Vdc operation
- Large turndown ratio
- ¼" BSP fittings
- IP65 enclosure
- 65°C operation.
- Pre-set 'K' factors



The Atrato Process is based on our standard, wide ranging, Atrato meter but packaged to address the more challenging process and control environment. The body is 316 stainless steel, rated at 20 Bar and the electronics are built-in and sealed to IP65. The only other wetted materials are PEEK and the customer's choice of elastomers. They are calibrated with a pre-set 'K' factor so all meters of the same flow range are fully interchangeable simplifying assembly and set-up procedures for OEM manufacturers. There are two adaptable frequency outputs, one PNP and NPN. Two multicolour LEDs indicate signal strength, power malfunctions and pulse outputs. Electrical connections are through a standard M12, four pin, sensor connector. Four flow ranges are available from 2 ml/min to 15 litres per minute, accuracy is ±1% over the whole flow range.

Flow Range	'K' factor Pulses per litre
2 to 500ml/min	100000
0.01 to 1.5 L/min	20000
0.03 to 5 L/min	10000
0.1 to 15 L/min	2000

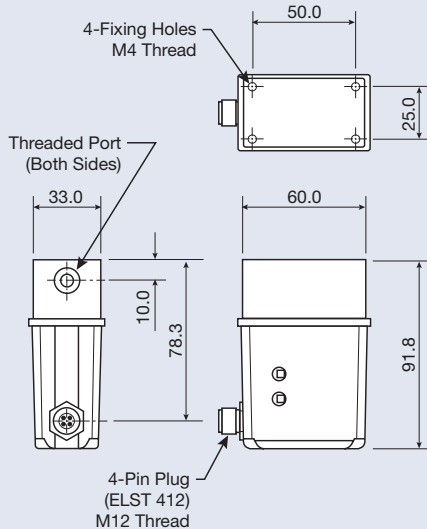
## ORDERING INFORMATION

First 3 digits Standard flow range	Forth digit seal material	Fifth digit process fittings	Sixth digit thread type	Seventh digit Tube assembly materials
71P = 2 – 500mL/Min				
72P = 0.01 – 1.5L/Min				
74P = 0.03 – 5 L/Min				
76P = 0.1 – 15 L/Min				
	V = Viton®			
	N = Nitrile			
	E = EPDM			
	S = Silicon			
	K = Kalrez®			
		Q = 1/4"		
			B = BSP	
			N = NPT	
				O = PEEK/316 St St

For example

## 76P – VQB – O

This is a 15 L/Min flowmeter with Viton seals, quarter inch BSP fittings and a 316 stainless steel flow tube with PEEK internal fittings.



### Process Atrato

Linearity - Green line  $\pm 1.0\%$  of reading from 2 to 100% of range  
 - Black line  $\pm 2.0\%$  of reading minimum flow to 2% of range  
 Repeatability - Red line  $\pm 0.1\%$  of reading plus 0.005% of full scale

