

## Display Indicator FT819-FNXR2N



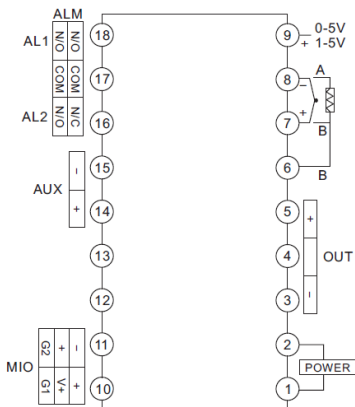
### Features

- High performance accuracy 0.15 %
- Universal input support all kinds of thermocouples and RTDs
- Retransmitter control output
- Dual display window, easy to set parameter and alarms point.
- The measured value or a set value can be changed into a standard current signal output, which can be used as a temperature transmitter
- Suitable for temperature value of the precise

### Technical Data

**Instrument Input signal :** } *In a table of input parameter*  
**Resolution :** }  
**Accuracy :** ± 0.15% of full scale  
**Response time :** 80mS (when digital filter parameter InF=0)  
**Display type :** 11-segment digital LED display  
**Display units :** °C, °F or not show the unit  
**Operating temperature :** 0...60°C  
**Operating humidity :** 0...90 %RH  
**Signal output :** 4...20mA (maximum load resistor 500Ω)  
**Communication output :** Modbus-RTU RS-485 (option)  
**Relay output :** 2 x relay, 3A/250VAC or 5A/30VDC  
**Power supply :** 100...240Vac, 50/60Hz or 24 Vdc  
**Current consumption :** 5.2 VA (100...240Vac), 3 VA (12...24Vdc)  
**Dimension :** 96 x 48 x 107 x mm (WxHxD)  
**Weight :** 240 g  
**Protection class :** IP65 (front), IP20 (back)

### Wiring Diagram



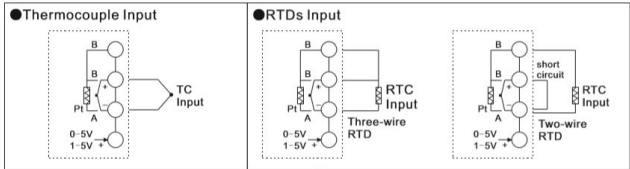
### Ordering code

**FT819 - FNXR2N**  -   
 - : 100...220 Vac  
 D : 24Vdc  
 N : 4...20mA, 2 Alarm Relay  
 S : 4...20mA, 2 Alarm Relay, RS485

### Table of input parameter

Input type		Display range	Resolution
Thermocouple	TC K	-50...+1300 °C	0.1 °C
	TC S	-50...+1700 °C	1 °C
	TC R	-50...+1700 °C	1 °C
	TC E	0...+800 °C	0.1 °C
	TC J	0...+1000 °C	0.1 °C
	TC B	+200...+1800 °C	1 °C
	TC N	0...+1300 °C	0.1 °C
	TC T	-200+350 °C	0.1 °C
RTDs	Pt100 (2 and 3 wire)	-200...+600 °C	0.1 °C
Resistance		0...400Ω	0.1

### The wiring method of the input signal



### www.omi.co.th

**Omega Measuring Instrument Co., Ltd.**  
 Tel : 02-105-4676  
 Fax : 02-903-0080 ext. 6867  
 Email : info@omi.co.th  
 Line : @omith