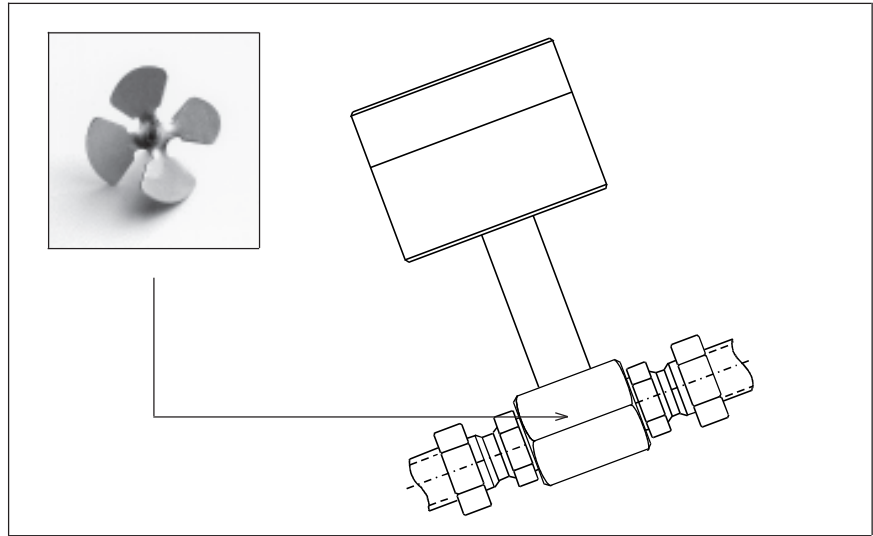


Measuring Tubes FA·Di 9.7GE...240 °C

FA·Di 9.7 G E- mc20T/240/p10/Ex ZG...

Sensor	
Meas. tube inside Ø Di in mm	
Medium	G = air/gases
Material	E = stainless steel
Type of vane wheel, meas. range	
Vane wheel material...	T = titanium
Working temperature range	
Working pressure above atmospheric	
Protective system	
Design as drawing ZG...	



The following applies to all measuring tubes as in drawings 7a, 8a and 9a

FA Di 9.7 G E-mc...T/ 240 / p10 ZG... :

Measuring ranges v_{local} with vane wheel type

mc20T	G: 0.6 ... 20 m/s
mc40T	G: 0.8 ... 40 m/s

With developed flow profile, irrotational flow, the relation

$$v_{mean} = PF \cdot v_{local}$$

with the profile factor PF = 0.66:

1 m/s _{local}	≅ 0.66 m/s _{mean}
1 m/s _{local}	≅ 2.93 actual l/min

Working temperature range: -20 °C ... +240 °C

Working pressure : up to 10 bar/1 MPa

Materials which come into contact with the medium

E : stainless steel, titanium, ceramics, sintered hard metal, VITON

Fitting attitude : as required

Connection : terminal screws

Connection housing: AS80,

L·W·H = 80·80·60 mm
for 0 °C ... +50 °C

Screwed cable glands : PG11, for cable with Ø 5...10 mm

Protective system : sensor IP68
connection housing IP65

Other models

Ex ia IIC T6, Measuring range up to 80 m/s or 120 m/s ... on request

User's Information

for measuring with vane wheel flow sensors, see also Data Sheet FA.

For measuring tubes as in drawing 6a

FA Di 9.7 GE - mn... / 200 / p10 ZG6a

the same specifications as for measuring tubes FA Di 9.7 GE - mn... / 240 / p10 ZG7a

... ZG9a apply, however working temperature range pipe fitting with

TEFLON seal : -20 °C ... +200 °C

working temperature otherwise

continuous : -20 °C ... +240 °C

Standard: output v/FA, optional with **integrated transducer** / 24 VDC / AS80

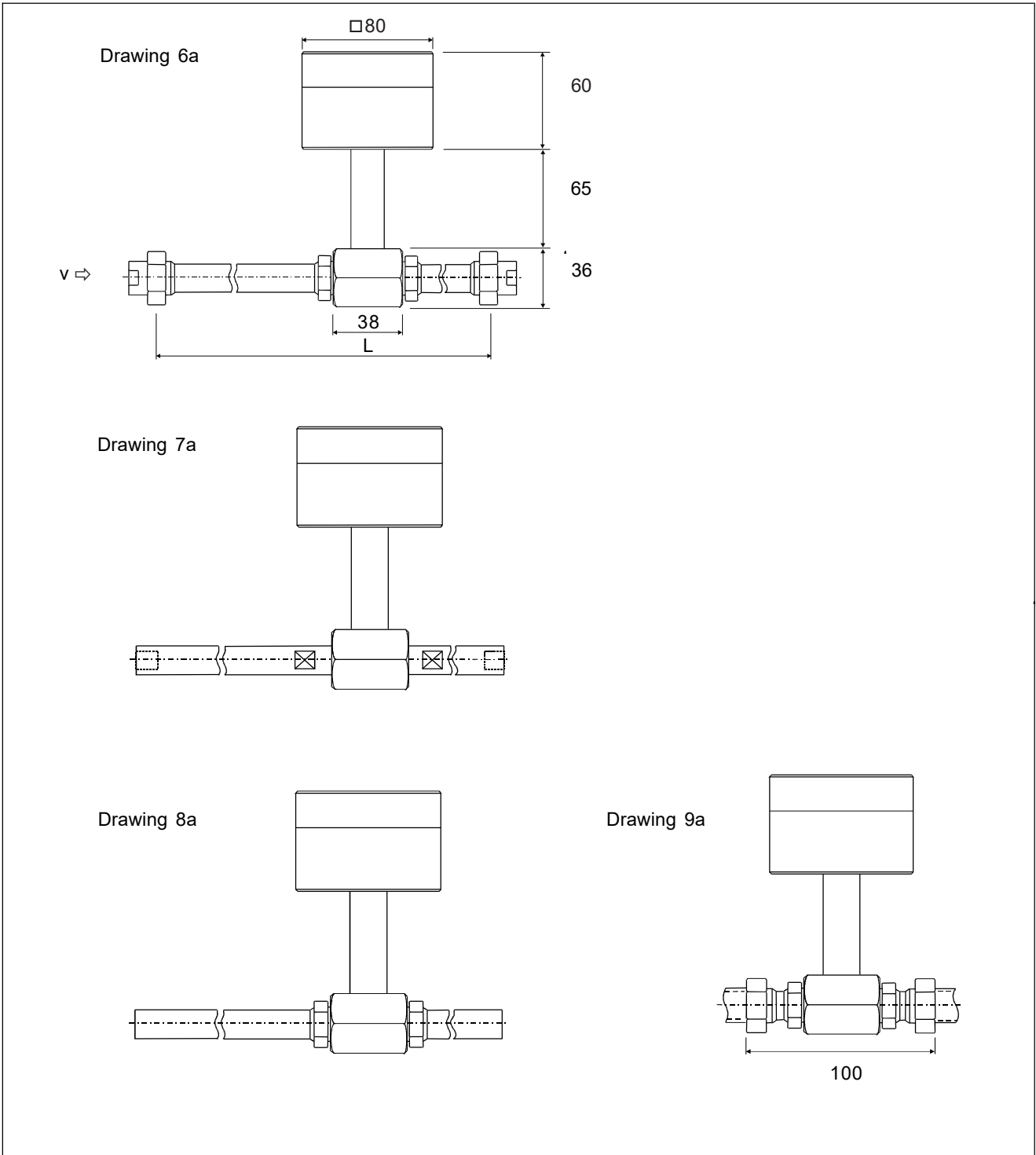
Output: 4...20 mA = 0...terminal value G in m/s

Measuring tube as drawing ZG ...	Type of vane wheel	Meas. range G in actual l/min ≈ ...	Installation length L total ≈ ... mm	Input/output section in mm b = by customer	Pipe connection V = screwed conn. SRV = cutting ring V	Article no.
FA·Di 9.7... ZG6a	mc20T	1.8 ... 58,6	350	200/100	PipeV G 3/8"	b001/221
FA·Di 9.7... ZG6a	mc40T	2.4 ... 117,2	350	200/100	PipeV G 3/8"	b001/222
FA·Di 9.7... ZG7a	mc20T	1.8 ... 58,6	350	200/100	inside thread G 3/8"	b001/223
FA·Di 9.7... ZG7a	mc40T	2.4 ... 117,2	350	200/100	inside thread G 3/8"	b001/224
FA·Di 9.7... ZG9a	mc20T	1.8 ... 58,6	38+SRV	b: 200/100	SRV for pipes 12·1	b001/225
FA·Di 9.7... ZG9a	mc40T	2.4 ... 117,2	38+SRV	b: 200/100	SRV for pipes 12·1	b001/226
FA·Di 9.7... ZG8a	mc20T	1.8 ... 58,6	350	200/100	Pipes oØ 16 mm ¹⁾	b001/227
FA·Di 9.7... ZG8a	mc40T	2.4 ... 117,2	350	200/100	Pipes oØ 16 mm ¹⁾	b001/228

¹⁾ oØ = outside diameter

When ordering a measuring tube with output v/FA please name the accompanying flow evaluation unit

Designs of Measuring Tubes FA·Di 9.7GE...240 °C



Höntzsch GmbH
P.O. Box 1324 D-71303 Waiblingen
Gottlieb-Daimler-Straße 37
D-71334 Waiblingen (Hegnach)
Telephone 07151/1716-0
Facsimile 07151/58402

จัดจำหน่ายโดย
บริษัท โอลเมก้า เมชเชอริง อินสตรูमेंท์ จำกัด
50/23 หมู่ 3 ต.มหาสวัสดิ์ อ.บางกรวย จ.นนทบุรี 11130
Tel : 02 105 4676
Fax : 02 903 0080 ext. 6867
Email : info@omi.co.th