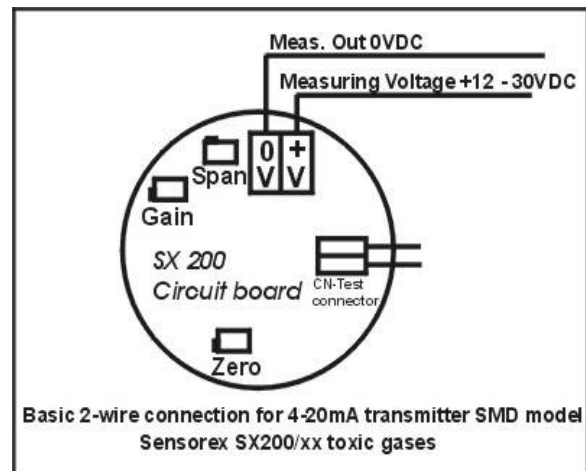
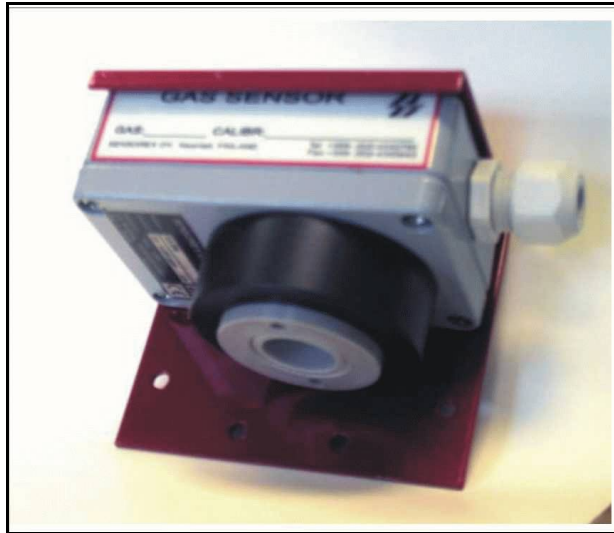


## GAS CONTROL SENSOR for Nitric Oxide (NO).



Type: SX200/NO ( 4-20mA transmitter)



**Measuring principle:** The SX200/NO transmitter is equipped with an electrochemical measuring cell. It is meant for normal electric environment.

### Technical data:

Operating Voltage	: +12-30VDC
Standard Measuring Range	: 0-10, 0-20, 0-30, 0-50, 0-100, 0-200, 0-300ppm
Output	: 4-20mA
Temperature Range	: -20°C.....+45°C (normal) : -30°C.....+45°C (thermostated)
Relative Humidity Range	: 15 - 90% RH (non condensing)
Pressure Range	: Atm +/- 10%
Output Impedance	: 4 Mohm
Expected Operating Life	: 36 months in the air
T <sub>90</sub> Responce Time	: < 10 sec.
Long Term Output Drift	: < 2% signal loss / month
Max. Zero Shift (+20°C..+40°C)	: 9 ppm equivalent
Repeatability	: 2% of signal
Linearity	: Linear across range
Cable	: 2-wire lead, thermostated 3-wire lead
Cable Lead	: PG9
Enclosure	: IP64
Size	: Enclosure 98x64x34 + Cable lead.+ Sensor cover.
Installation	: Black sensor cover must always point down.

จัดจำหน่ายโดย

บริษัท โอเมก้า เมชเชอริง อินสทรูमेंท์ จำกัด

50/23 หมู่ 3 ต.มหาสวัสดิ์ อ.บางกรวย จ.นนทบุรี 11130

Tel : 02 105 4676

Fax : 02 903 0080 ext. 6867

Email : info@omi.co.th

www.omi.co.th