

FLOW TOTALIZER DISPLAY

FDI-7600



Features

- Display indicator for flow meter, able to record the totalizer and flow rate together
- Several input signals such as analog output, Thermocouple, pulse, etc can be received
- There is a function that used to control a system via relay output
- Built-in memory for recording data
- Able to download data via USB port to flash drive
- There is a software for management data, graphing, export data to CSV file
- Auxillary power for supplementary sensors

Technical Data

Input signal

- **Flow meter** : Pulse, 0...20mA, 4...20mA, 1...5V, 0...10V
- **Temperature** : Thermocouple - B, S, K, E, T, J, R, N
RTDs - Pt100, Cu50, Cu100
Analog signal - 0...20mA, 4...20mA
- **Pressure** : 0...20mA, 4...20mA, 1...5V, 0...10V

Accuracy : 0.2%FS ± 1 digit

Resolution (Flow and totalizer) : none...5 digit (*selectable*)

Display : 3.5" matrix 128 x 64 LCD screen with backlight

Display mode : Flow rate, Totalizer, Temperature, Pressure, Energy, Totalizer Energy

Unit

- **Flow rate** : m³/h, m³/min, m³/s, Nm³/h, Nm³/min, Nm³/s, Kg/h, Kg/min, Kg/s, t/h, tmin, t/s, L/h, L/min, L/s
- **Totalizer** : m³, Kg, L, t (*according to Flow rate unit*)
- **Temperature** : °C
- **Pressure** : Pa, KPa, MPa, Bar, mmHg and mmH2O
- **Energy** : KJ/h, KJ/m, KJ/s, MJ/h, MJ/m, MJ/s, GJ/h, GJ/m, GJ/s, KC/h, KC/m, KC/s
- **Totalizer energy** : KJ, MJ, GJ, KC (*according to Energy unit*)

Signal output : 4-20mA, 0-20mA, 0-10mA (*selectable*)

Relay output : 2ch x SPDT Relay AC220V/2A, DC24V/2A

Communcation : RS485 (modbus-RTU)

Auxiliary power : 24Vdc, 50mA

Interval time : 1s, 2s, 4s, 6s, 15s, 30s, 60s, 120s, and 240s

Storage data : 3 days (interval of 1s) – 720 days (interval of 240s)

Data file : Excel, PDF

Data interface : USB 2.0, Micro SD card

Operating temperature : 0...50°C

Operating humidity : 0...85 %RH

Power consumption : ≤ 5W

Power supply : 220 Vac or 24Vdc

Dimension : 160 x 80 x 110 mm (W x H x D)

Weight : 470 g

2 value-Display

- Flow rate
- Totalizer



Maximum 4 parameters

- Flow rate
- Energy
- Temperature
- Pressure
- Totalizer
- Totalizer energy



Data Exporting port

Micro SD card

USB 2.0

Ordering code

FDI-7600-

1 : Power supply 220 Vac

2 : Power supply 24 Vdc

Example order : FDI-7600-1

Flow totalizer display with power supply 220 Vac

www.omi.co.th

Omega Measuring Instrument Co., Ltd.

Tel : 02-105-4676

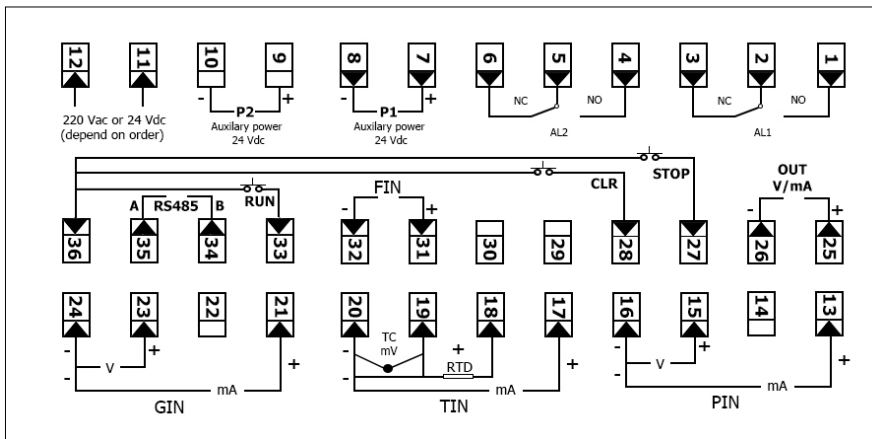
Fax : 02-903-0080 ext. 6867

Email : info@omi.co.th

Line : @omith

FLOW TOTALIZER DISPLAY FDI-7600

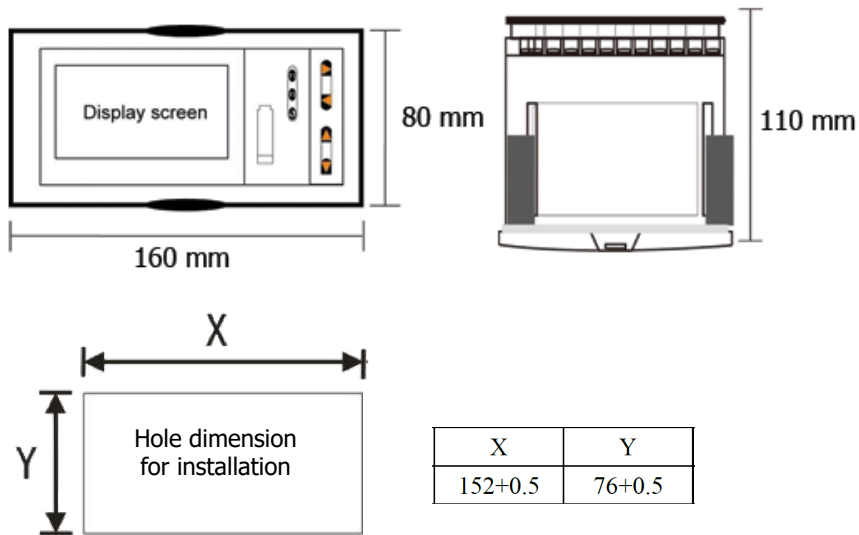
Wiring diagram



***Note**

- GIN :** Flow input
- TIN :** Temperature input
- PIN :** Pressure input
- FIN :** Frequency input (Pulse)

Drawing and dimension



www.omi.co.th

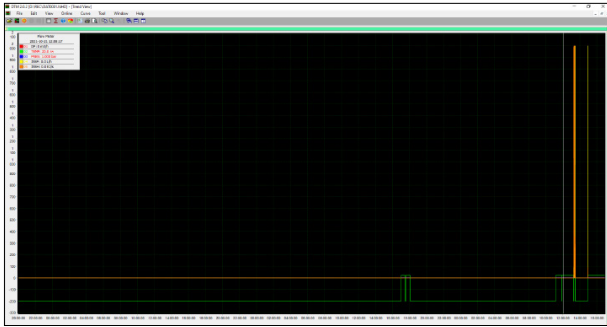
Omega Measuring Instrument Co., Ltd.

Tel : 02-105-4676
 Fax : 02-903-0080 ext. 6867
 Email : info@omi.co.th
 Line : @omith

FLOW TOTALIZER DISPLAY FDI-7600

Software and Report

- Software



Graph

Table

- Example report

flow rate, temperature and Pressure

No.	Time	SP (kg/h)	TEMP (°C)	PRSS (bar)	TEMP (°C)	PRSS (bar)	TEMP (°C)
1	2021-10-18 19:58:30	158	25.2	1	158	25.2	1
2	2021-10-18 19:58:39	158	25.2	1	158	25.2	1
3	2021-10-18 19:58:40	158	25.2	1	158	25.2	1
4	2021-10-18 19:58:41	159	25.4	1	159	25.4	1
5	2021-10-18 19:58:42	158	25.4	1	158	25.4	1
6	2021-10-18 19:58:43	159	25.4	1	159	25.4	1
7	2021-10-18 19:58:44	158	25.2	1	158	25.2	1
8	2021-10-18 19:58:45	162	25.2	1	162	25.2	1
9	2021-10-18 19:58:46	162	25.2	1	162	25.2	1
10	2021-10-18 19:58:47	162	25.2	1	162	25.2	1
11	2021-10-18 19:58:48	162	25.2	1	162	25.2	1
12	2021-10-18 19:58:49	162	25.2	1	162	25.2	1
13	2021-10-18 19:58:49	162	25.2	1	162	25.2	1
14	2021-10-18 19:58:51	162	25.2	1	162	25.2	1
15	2021-10-18 19:58:52	162	25.2	1	162	25.2	1
16	2021-10-18 19:58:53	162	25.2	1	162	25.2	1
17	2021-10-18 19:58:54	175	25.4	1	175	25.4	1
18	2021-10-18 19:58:55	175	25.4	1	175	25.4	1
19	2021-10-18 19:58:57	175	25.1	1	175	25.1	1
20	2021-10-18 19:58:58	171	25.1	1	171	25.1	1
21	2021-10-18 19:58:59	171	25.1	1	171	25.1	1
22	2021-10-18 19:58:59	171	25.1	1	171	25.1	1
23	2021-10-18 19:59:00	171	25.1	1	171	25.1	1
24	2021-10-18 19:59:00	171	25.1	1	171	25.1	1
25	2021-10-18 20:00:00	171	25.1	1	171	25.1	1

Power on/off

No.	PowerOff Time	PowerOn Time	PowerOff Length
8	2021-10-21 13:09:23	2021-10-21 14:36:35	0000:01:27m12s
7	2021-10-21 12:05:54	2021-10-21 12:07:33	0000:00:01m19s
6	2021-10-21 12:56:09	2021-10-21 12:57:37	0000:00:01m28s
5	2021-10-21 11:39:23	2021-10-21 11:34:28	0000:00:05m55s
4	2021-10-20 17:45:40	2021-10-20 10:50:18	0000:07:05m22s
3	2021-10-20 17:09:13	2021-10-20 17:12:41	0000:00:03m28s
2	2021-10-15 17:54:54	2021-10-20 16:41:16	0004:02:04m16s
1	2021-10-15 17:22:04	2021-10-15 17:41:22	0000:00:19m17s

Totalizer and Energy

File Name:	Hour Report
1	2021-09-27
2	2021-09-27
3	2021-09-27
4	2021-09-27
5	2021-09-27
6	2021-09-27
7	2021-09-27
8	2021-09-27
9	2021-09-27
10	2021-09-27
11	2021-09-27
12	2021-09-27
13	2021-09-27
14	2021-09-27
15	2021-09-27
16	2021-09-27
17	2021-09-27
18	2021-09-27
19	2021-09-27
20	2021-09-27
21	2021-09-27
22	2021-09-27
23	2021-09-27
24	2021-09-27
25	2021-09-27

totalizer per hour

File Name:	Day Report
1	2021-09-27
2	2021-09-27
3	2021-09-27
4	2021-09-27
5	2021-09-27
6	2021-09-27
7	2021-09-27
8	2021-09-27
9	2021-09-27
10	2021-09-27
11	2021-09-27
12	2021-09-27
13	2021-09-27

totalizer per day

File Name:	Month Report
1	2021-09
2	2021-09
3	2021-09
4	2021-09
5	2021-09
6	2021-09
7	2021-09
8	2021-09
9	2021-09
10	2021-09
11	2021-09

totalizer per month