

RADAR LEVEL METER RM-903



Features

- Designed for solid and liquid material
- Boiler, Steam process available
- Gimbal flange, Easily adjust the direction
- Up to 70 meters measuring range
- Beam angle is small energy concentration
- High-quality waterproof connector
- Pulse work launch frequency of low impact on people and the environment

Technical Data

Application : Solid material, liquid, process container or strong dust

Measuring Range : 0...4/6/12/20/40/50/60/70 m

Accuracy : ±15 mm

Resolution : 1 mm

Measurement units : mm, cm, m, %, kg, t

Measurement display : Number or Graph

Beam angle : 6°, 8° (depend on flange size)

Blind area : The ends of the antenna

Frequency Range : 26 GHz

Process temperature : -40...+250 °C

Process pressure : -0.1...4.0 MPa

Ambient temperature : -40...+80 °C

Vibration resistance : 10 m/s², (10...150) Hz

Process connection : DIN Flange (Gimbal type)

Material (Flange and Antenna) : 304 Stainless Steel

Material (Head) : Aluminum

Signal output (Standard) : 4...20 mA (2-wire)

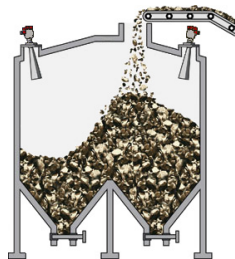
Signal output (Option) : RS-485 (Modbus)

Power supply : 24 Vdc (16...26 Vdc)

Power consumption : Max. 22.5 mA / 1 W

Protection class : IP67

Application



Solid Materials
& Special Silo



Animals Feed Silo



Boiler/Steam

www.omi.co.th

Omega Measuring Instrument Co., Ltd.

Tel : 02-105-4676

Fax : 02-903-0080 ext. 6867

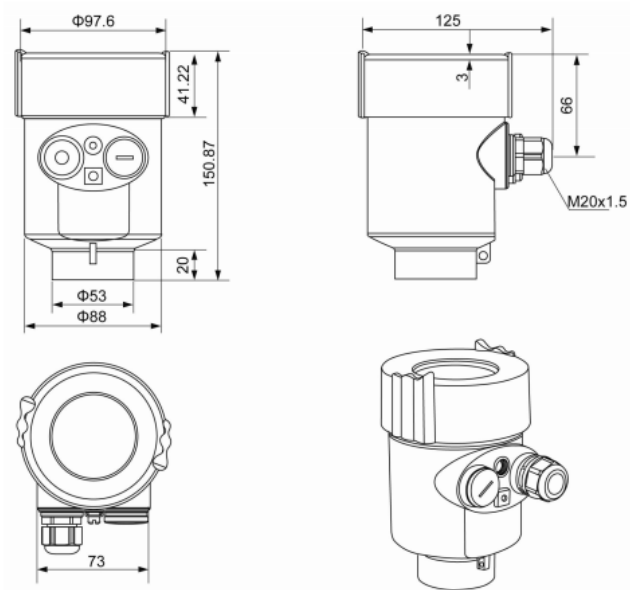
Email : info@omi.co.th

Line : @omith

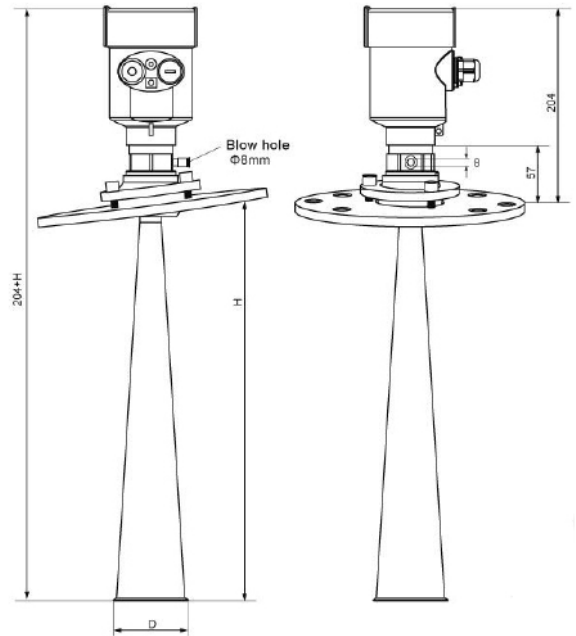
RADAR LEVEL METER RM-903

Structure size

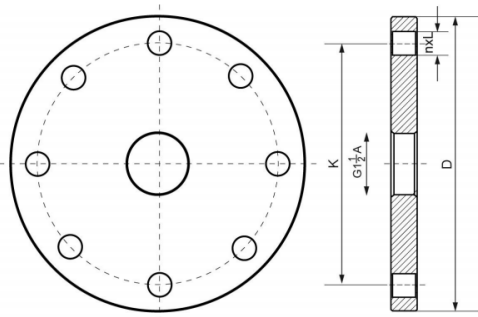
The outer shell



Appearance size



Flange connection



Flange	The Ball Diameter (D)	Bell Hight H
DN100	Φ96	288
DN125	Φ121	620

Flange Selection Tables

Specification	Outer diameter (D)	Hole center distance (K)	Number of Hole (n)	Hole diameter (L)
DN100	Φ220	Φ180	8	18
DN125	Φ250	Φ210	8	18

www.omi.co.th

Omega Measuring Instrument Co., Ltd.

Tel : 02-105-4676

Fax : 02-903-0080 ext. 6867

Email : info@omi.co.th

Line : @omith

RADAR LEVEL METER RM-903

Ordering Code

Series : RM-903-xx-xxx-x	
xx : Level range	
4 : range 0...4 m	
6 : range 0...6 m	
12 : range 0...12 m	
20 : range 0...20 m	
40 : range 0...40 m	
50 : range 0...50 m	
60 : range 0...60 m	
70 : range 0...70 m	
xxx : Flange connection	
100 : DN100 (Beam Angle 8°)	
125 : DN125 (Beam Angle 6°)	
x : Signal output	
- : 4-20 mA (2-wires)	
D : RS485	

Example

RM-903-70-100 : Radar level meter range 0...70 m, Flange connection DN100, Signal output 4-20mA