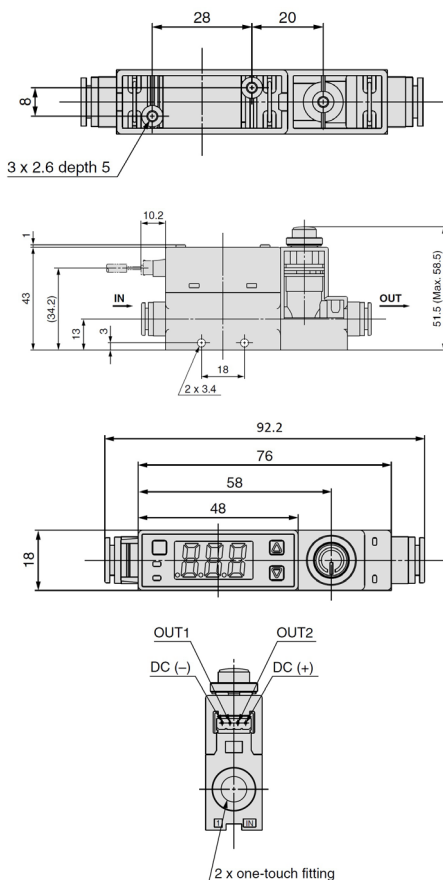


## Air and Gas Flow Meter 710S-series



### Dimension



### Features

- Two-colour display digital flow switch
- Piping space can be reduced
- Compact and light weight
- Users are able to select fluid by using the button
- Application; flow control of equipment, suction check, accumulated indication of operating flow rate or residual amount

### Technical Data

**Measuring principle :** Thermal type

**Application :** Air and gases

**Measuring range :** 0.2...10 l/min

**Accuracy :**  $\pm 3\%$ F.S. or less (Fluid : Dry air)

**Repeatability :**  $\pm 1\%$ F.S. or less (Fluid : Dry air)

**Process connection :** one touch fitting for tube OD 4 mm

**Indication unit :** l/min, CFM  $\times 10^{-2}$  (Real-time flow rate)

**Display method :** 3-digit, 7-segment LED, 2-colour display (Red/Green),  
Renewed cycle : 10 times/sec

**Accumulated flow range :** Max. 999,999 liters

**Operating temperature :** 0...50 °C (with no freezing and condensation)

**Storage temperature :** -10...60 °C

**Operating humidity :** 35...85%R.H. (with no condensation)

**Operating pressure :** -1...7.5 bar

**Vibration resistance :**

**without orifice :** 10 to 500 Hz with a 1.5 mm amplitude or 98 m/s<sup>2</sup> acceleration, in each X, Y, Z direction for 2 hrs, whichever is smaller

**with orifice :** 10 to 500 Hz with a 1.5 mm amplitude or 19.6 m/s<sup>2</sup> acceleration, in each X, Y, Z direction for 2 hrs, whichever is smaller

**Impact resistance :** 490 m/s<sup>2</sup> in X, Y, Z directions 3 times each

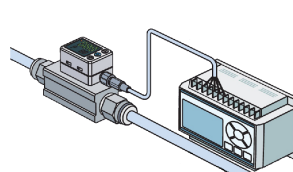
**Power supply :** 24 Vdc  $\pm 10\%$

**Current consumption :** 55mA or less

**Weight :** 95g

**Protection :** IP40

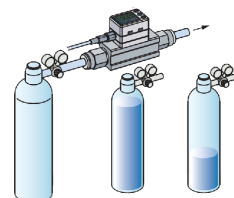
### Application



Flow control of equipment



Welder



Accumulated indication

[www.omi.co.th](http://www.omi.co.th)

บริษัท โอเมกา เมชเชอริง อินสตรูเมนต์ จำกัด

Tel : 02-105-4676

Fax : 02-903-0080 ext. 6867

Email : [info@omi.co.th](mailto:info@omi.co.th)

Line : @omith