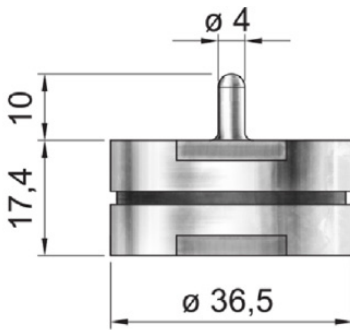


HIGH TEMPERATURE DATA LOGGER SterilDisk Probe 10



Drawing



unit : mm

Application



Autoclave



Sterilization process



pasteurization process



Oven/Retort

*Note: Furthermore, these process that are shown, please do not hesitate to contact us for consulting

www.omi.co.th

Omega Measuring Instrument Co., Ltd.

Tel : 02-105-4676

Fax : 02-903-0080 ext. 6867

Email : info@omi.co.th

Line : @omith

Features

- Small size, High response time
- Completely food grade and waterproof
- All software calculate lethality value (F0, PU, A0 ecc.)
- User replaceable battery (software shows battery status)
- Accredia (NIST equivalent) traceable calibration certificate included
- Available extended calibration from - 20°C (order extra calibration points; in case of wide calibration range the accuracy might be worse)
- Application for Autoclave verification, Implement HACCP programs, Foods Preparation and Processing, Environmental Studies, Well Monitoring, Dishwasher Testing Pasteurization

Technical data

Temperature range : -20...+140 °C

Accuracy : ±0.2 °C (within the calibration range)

Resolution : 0.01 °C

Memory capacity : 20,224 reading

Battery type : high temperature Lithium battery

Battery life (@different interval) : 2 years @ 1 minutes or 16 days @ 1 second [1,400,000 acquisitions @ 1 second step continuously (calculated time @25°C)]. Storage or operation above +50°C significantly reduces battery life.

Interval : 1 s...24hr

Body Material : 316 Stainless steel

Seal material : Fluorine Kautschuk Material (FKM : Viton®)

Operate system : Windows 10, 11 (32/64 bit)

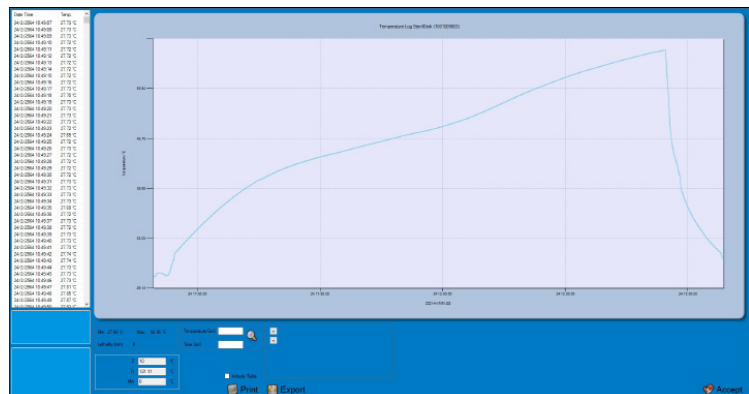
Exporting : PDF, Excel

Dimension : Φ36.5 x 17.4h mm (Body), Φ3 x 10h mm (Probe)

Weight : 82 g

Pressure resistant : 6 BarG

Protection type : IP68



HIGH TEMPERATURE DATA LOGGER SterilDisk Probe 10

Accessories

These are necessary equipments that using with products and increase efficiency.

DiskInterface HS Mini : is the connection bay used in SterilDisk series, P-Micro, S-Micro model for downloading data and programming all models of high temperature data loggers



DiskInterface HS : is the connection bay used in all model for downloading data and programming all models of high temperature data loggers



Universal Multibay : is the multiple connection bay used for downloading data and programming all models of high temperature data loggers. It allows to connect up to 5 data loggers of each supported model to be programmed and downloaded at the same time.



TS17MU : use to open data loggers for battery replacement.
*Note : For all of **sterilDisk** model, need 2 items for opening*
*For **others** model, need only 1 item for opening*



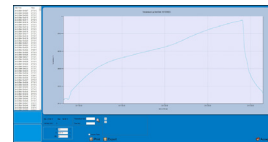
TS01SPDB : Battery and O-ring for SterilDisk.



TS01SDOR : O-rings couple for substitution on SterilDisk. (Package of 10 couples)



SPD Software (FREE) : It allows to start the devices setting the start delay, mission duration, notes. After download data are then displayed on graph, with zoom function, and table, exportable in Excel.



TS Manager Software : it allowed to do everything as a SPD software and has more functions such as multi-user, having login and password, Synchronized data table with statistics, etc. Downloadable from TecnoSoft website and works with its hardware protection key only.



www.omi.co.th

Omega Measuring Instrument Co., Ltd.

Tel : 02-105-4676

Fax : 02-903-0080 ext. 6867

Email : info@omi.co.th

Line : @omith