

## RADAR LEVEL METER RM-902



### APPLICATION



### Features

- Designed for liquid material
- Up to 30 meters measuring range
- Beam angle is small energy concentration
- High-quality waterproof connector
- Pulse work launch frequency of low impact on people and the environment

### Technical Data

**Application :** liquid material  
**Measuring Range :** 0...4/6/12/20/30 m  
**Accuracy :**  $\pm 3$  mm  
**Resolution :** 1 mm  
**Measurment units :** mm, cm, m, %, kg, t  
**Measurment display :** Number or Graph  
**Beam angle :** 8°, 12° (depend on antenna size)  
**Blind area :** The ends of the antenna  
**Frequency Range :** 26 GHz  
**Process Temperature :** -40...+250 °C  
**Process Pressure :** -0.1...4.0 MPa  
**Vibration resistance :** 10 m/s<sup>2</sup>, (10...150) Hz  
**Process Connection :** Flange DN80 or Flange DN100  
**Body Material (Antenna) :** 304 Stainless Steel  
**Material (Head) :** Aluminum  
**Signal output (Standard) :** 4...20 mA (2-wire)  
**Signal output (Option) :** RS-485 (Modbus)  
**Power supply :** 24 Vdc  
**Power consumption :** Max. 22.5 mA / 1 W  
**Protection class :** IP67

[www.omi.co.th](http://www.omi.co.th)

**Omega Measuring Instrument Co., Ltd.**

Tel : 02-105-4676

Fax : 02-903-0080 ext. 6867

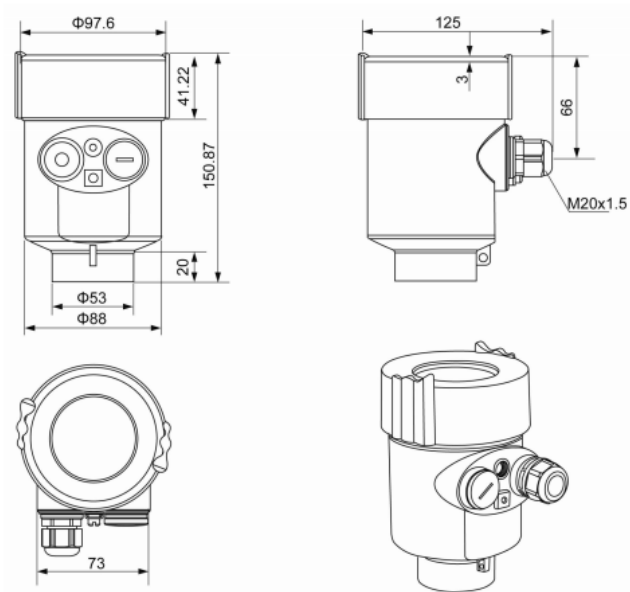
Email : [info@omi.co.th](mailto:info@omi.co.th)

Line : @omith

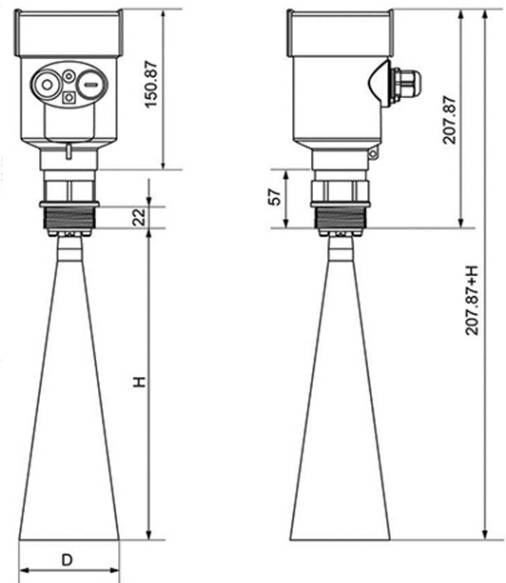
## RADAR LEVEL METER RM-902

### Structure size

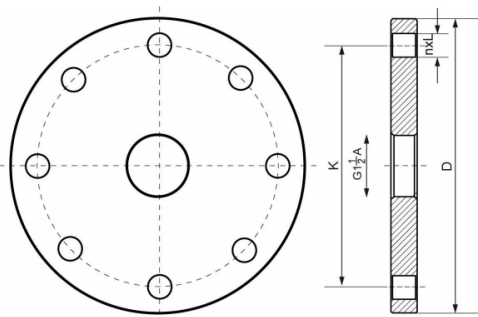
#### The outer shell



#### Appearance size



#### Flange connection



Beam angle	Antenna Diameter (D)	Antenna Height (H)
8°	Φ96	290
12°	Φ76	205

Flange Selection Tables

Specification	Outer diameter (D)	Hole center distance (K)	Number of Hole (n)	Hole diameter (L)
DN80	Φ200	Φ160	8	18
DN100	Φ220	Φ180	8	18

[www.omi.co.th](http://www.omi.co.th)

**Omega Measuring Instrument Co., Ltd.**

Tel : 02-105-4676

Fax : 02-903-0080 ext. 6867

Email : [info@omi.co.th](mailto:info@omi.co.th)

Line : @omith

## RADAR LEVEL METER RM-902

### Ordering Code

<b>Series : RM-902-xx-xxx-x</b>	
<b>xx : Level range</b>	
<b>4</b> : range 0...4 m	
<b>6</b> : range 0...6 m	
<b>12</b> : range 0...12 m	
<b>20</b> : range 0...20 m	
<b>30</b> : range 0...30 m	
<b>xxx : Flange connection</b>	
<b>100</b> : Flange DN100 (Beam angle 8°)	
<b>80</b> : Flange DN80 (Beam angle 12°)	
<b>x : Signal output</b>	
<b>-</b> : 4-20 mA (2-wires)	
<b>D</b> : RS485	

**Example**

**RM-902-30-100** : Radar level meter range 0...30 m, Flange connection DN100 with Beam Angle 8° , Signal output 4-20mA