

RADAR LEVEL METER RM-902T



Features

- Storage tanks, in corrosive or aggressive media or high accuracy tank gauging applications.
- Up to 20 meters measuring range
- Beam angle is small energy concentration
- High-quality waterproof connector
- Pulse work launch frequency of low impact on people and the environment

Technical Data

Application : Storage tank, corrosive liquid in tank
Measuring Range : 0...5/10/15/20 m
Accuracy : ± 3 mm
Resolution : 1 mm
Measurement units : mm, cm, m, %, kg, t
Measurement display : Number or Graph
Beam angle : 6°, 8° (depend on flange size)
Blind area : The ends of the antenna
Frequency Range : 26 GHz
Process temperature : -40...+250 °C
Process pressure : -0.1...2.0 MPa
Ambient temperature : -40...+80 °C
Vibration resistance : 10 m/s², (10...150) Hz
Process connection : DIN Flange
Material (Flange and Antenna) : 304 Stainless Steel
Material (Head) : Aluminum
Signal output (Standard) : 4...20 mA (2-wire)
Signal output (Option) : RS-485 (Modbus)
Power supply : 24 Vdc (16...26 Vdc)
Power consumption : Max. 22.5 mA / 1 W
Protection class : IP67

Application



Corrosive liquid



Storage tank

www.omi.co.th

Omega Measuring Instrument Co., Ltd.

Tel : 02-105-4676

Fax : 02-903-0080 ext. 6867

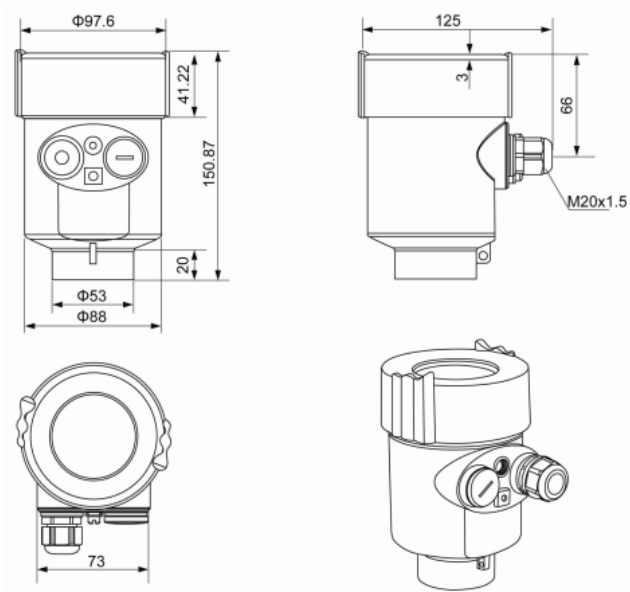
Email : info@omi.co.th

Line : @omith

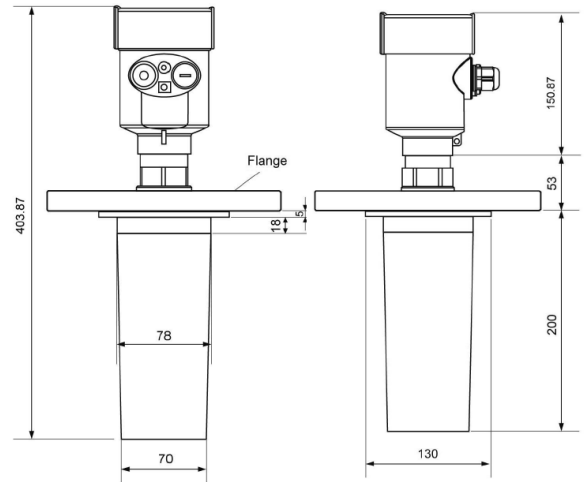
RADAR LEVEL METER RM-902T

Structure size

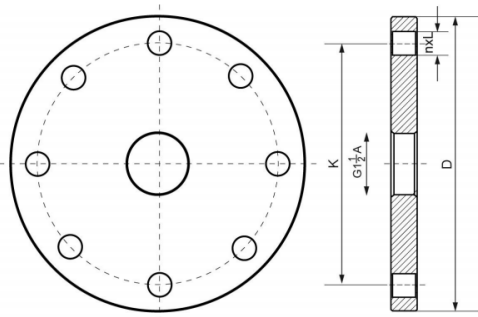
The outer shell



Appearance size



Flange connection



Flange	The Bell Diameter D	Bell height H
DN80	Φ65	185
DN100	Φ65	185

Flange Selection Tables

Specification	Outer diameter (D)	Hole center distance (K)	Number of Hole (n)	Hole diameter (L)
DN100	Φ220	Φ180	8	18
DN125	Φ250	Φ210	8	18

www.omi.co.th

Omega Measuring Instrument Co., Ltd.

Tel : 02-105-4676

Fax : 02-903-0080 ext. 6867

Email : info@omi.co.th

Line : @omith

RADAR LEVEL METER RM-902T

Ordering Code

Series : RM-902T-xx-xxx-x	
xx : Level range	
5 : range 0...5 m	
10 : range 0...10 m	
15 : range 0...15 m	
20 : range 0...20 m	
xx : customized in 0...20 m (for example - 6 : 0...6m)	
	xxx : Flange connection
	100 : DN100 (Beam Angle 8°)
	125 : DN125 (Beam Angle 6°)
	x : Signal output
	- : 4-20 mA (2-wires)
	D : RS485

Example

RM-902T-10-100 : Radar level meter range 0...10 m, Flange connection DN100, Signal output 4-20mA