



FTS07

Hot wire air velocity transmitter for probe type

Air velocity

www.eyc-tech.com



Feature

- Measuring range : 10 m / s , 20 m / s
- Highly stability and repeatability
- Smaller tolerance in setting angle
- An economical choice, high C / P ratio

Applications

- Monitoring for HVAC process
- Environmental control and clean room
- Laminar flow control

Specification

Input

Measuring range	10 m/s ; 20 m/s
Min. measuring range	0.2 m/s

Output

Output signal	0 ... 10 VDC
Signal connection	3-Wire
Load resistance (voltage output)	> 10KΩ
Response time	reach 90% of ultimate value within 1 sec.
Angular dependence	<3% measuring range (install degree < 10°)

Accuracy(+ 25°C)

Accuracy	± 5 % F.S.
----------	------------

Environment

Medium	Air
Working Temp.	15 ... 35 °C (recommended)
Environment humidity	10 ... 90 %RH (non-cond.)
Storage Temp.	- 10 ... + 60 °C

Electric

Power Supply	24VDC ± 20%
Current Consumption	< 70 mA
Overvoltage protection	< 35 VDC
Electrical connection	PVC Cable 0.32 mm ² x 3C

Protection

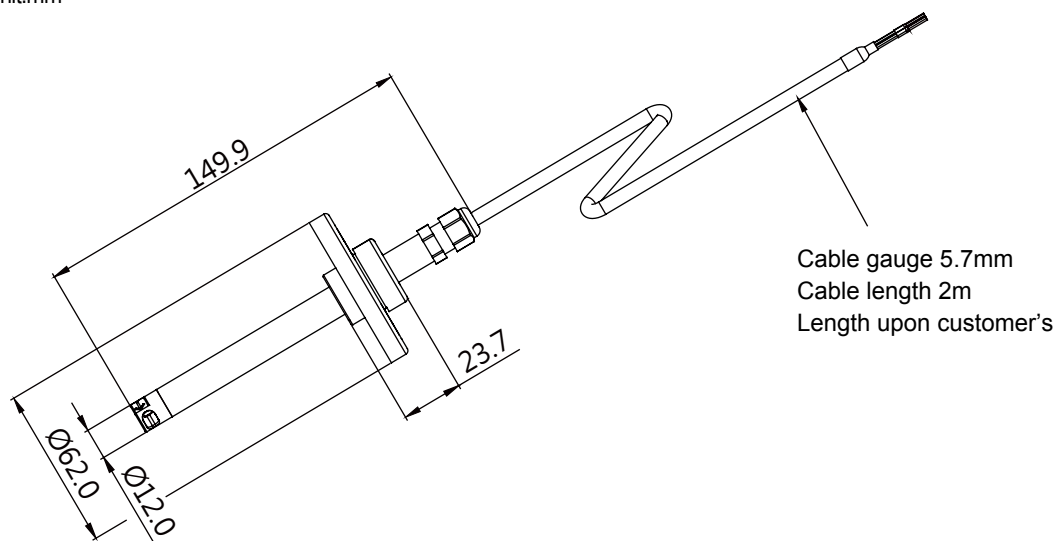
Installation	Duct
Fixed way	Fange installation
IP Rating	IP20
Electric Protection	☉ Polarity protection ☉ Over-voltage

Material

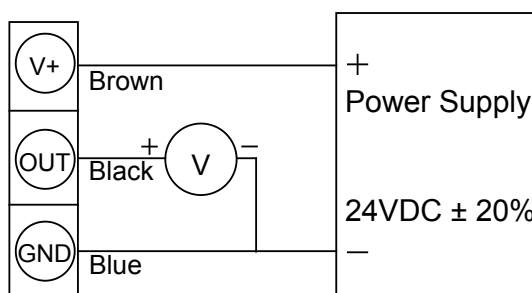
Housing	PC fire-proof (UL94V-2)
Filter	PC with glass fiber
Cable	PVC
Weight	25 g (without cable)

Dimension

Unit:mm



Diagram



Ordering Guide

Item	FTS	07	—	10	6	1	—	2
Installation	Probe type	07	—					
Range	10 m/s 20 m/s			10 20				
Output	0 ... 10 V				6			
Power Supply	24 VDC ± 20 %					1		
Option	2m cable						—	2

| Additional option (ILAC / TAF) Test report |



Additional option : Yuden standard calibration laboratory test report (TAF accreditation: 3032) complying with ISO /IEC 17025. TAF has mutual recognition arrangement with ILAC MRA

Project	Measurand level or range
Anemometer	0.2 ... 60m/s(8 basic points on average or specified by customer)