

## RADAR LEVEL METER RM-908



### Features

- Designed for liquid material
- Suit for environment such as river, lakes or reservoir
- Bracket for mounting
- Up to 30 meters measuring range
- Beam angle is small energy concentration
- High-quality waterproof connector
- Pulse work launch frequency of low impact on people and the environment

### Technical Data

**Application :** liquid material

**Measuring Range :** 0...4/6/12/20/30m

**Accuracy :** ±3 mm

**Resolution :** 1 mm

**Measurement units :** mm, cm, m, %, kg, t

**Measurement display :** Number or Graph

**Beam angle :** 8°, 12° (depend on antenna size)

**Blind area :** The ends of the antenna

**Frequency Range :** 26 GHz

**Process temperature :** -20...+100 °C

**Process pressure :** Normal pressure

**Ambient temperature :** -20...+100 °C

**Vibration resistance :** 10 m/s<sup>2</sup>, (10...150) Hz

**Process connection :** Thread G1" 1/2 and bracket

**Material (Antenna and bracket) :** 304 Stainless Steel

**Material (Head) :** Aluminum

**Signal output (Standard) :** 4...20 mA (2-wire)

**Signal output (Option) :** RS-485 (Modbus)

**Power supply :** 24 Vdc

**Power consumption :** Max. 22.5 mA / 1 W

**Protection class :** IP67



### Application



River



Lakes and reservoir

[www.omi.co.th](http://www.omi.co.th)

**Omega Measuring Instrument Co., Ltd.**

Tel : 02-105-4676

Fax : 02-903-0080 ext. 6867

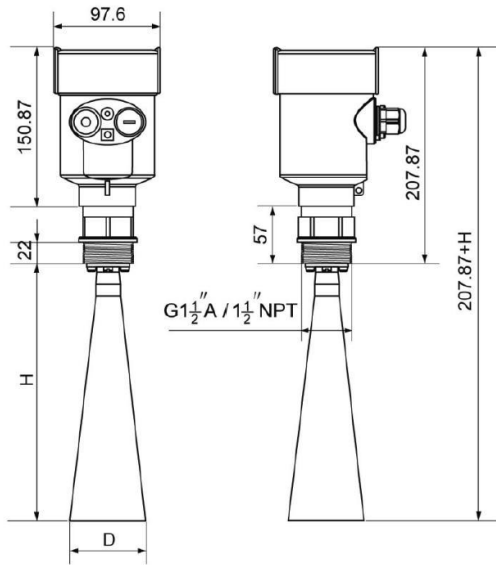
Email : [info@omi.co.th](mailto:info@omi.co.th)

Line : @omith

## RADAR LEVEL METER RM-908

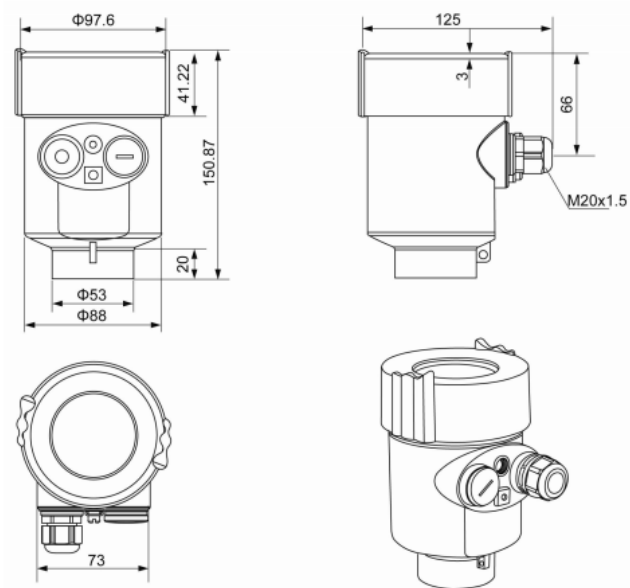
### Structure size

#### Appearance size



Beam angle	Antenna Diameter (D)	Antenna Hight (H)
8°	Φ96	290
12°	Φ76	195

#### The outer shell



[www.omi.co.th](http://www.omi.co.th)

**Omega Measuring Instrument Co., Ltd.**

Tel : 02-105-4676

Fax : 02-903-0080 ext. 6867

Email : [info@omi.co.th](mailto:info@omi.co.th)

Line : @omith

## RADAR LEVEL METER RM-908

### Ordering Code

<b>Series : RM-908-xx-xxx-x</b>	
<b>xx : Level range</b>	
<b>4</b> : range 0...4 m	
<b>6</b> : range 0...6 m	
<b>12</b> : range 0...12 m	
<b>20</b> : range 0...20 m	
<b>30</b> : range 0...30 m	
<b>xxx : Beam angle</b>	
<b>1</b> : 8°	
<b>2</b> : 12°	
<b>x : Signal output</b>	
<b>-</b> : 4-20 mA (2-wires)	
<b>D</b> : RS485	

### Example

**RM-908-30-1** : Radar level meter range 0...30 m, Beam Angle 8° , Signal output 4-20mA