

BA06

EN

OPERATING MANUAL
ANEMOMETER



 **TROTEC**
AT WORK.

Table of contents

Notes regarding the operating manual 1
 Information about the device 1
 Technical data 2
 Safety 2
 Transport and storage 3
 Operation 3
 Maintenance and repair 4
 Disposal 4
 Declaration of conformity 4

Notes regarding the operating manual

Symbols



Danger!

Warns of a hazard which can lead to injuries.



Caution!

Warns of a hazard which can lead to damage to property.

The current version of the operating manual can be found at: www.trotec.de

Legal notice

This release replaces all previous versions. No part of this publication may be reproduced without written permission from TROTEC®. The same applies for electronically processing, duplicating or spreading the publication. Subject to technical changes. All rights reserved. Trademarks are used without guarantee that they may be used freely and primarily following the spelling of the manufacturer. Product names are registered. Changes to construction in the interests of constant improvements to the product, as well as changes to the shape and colour are reserved.

The scope of delivery may vary from product images. This document was created with all due care. TROTEC® accepts no liability whatsoever for possible mistakes or omissions.

The only party responsible for determining measured results to be valid, drawing conclusions and deriving actions is the user! TROTEC® accepts no claims of warranty for the correctness of the determined measured values or measured results. Further, TROTEC® accepts no liability whatsoever for possible mistakes or damage which have been caused by utilising the determined measured results. © TROTEC®

Information about the device

Description of the device

By making use of the anemometer air velocities can be determined in various units:

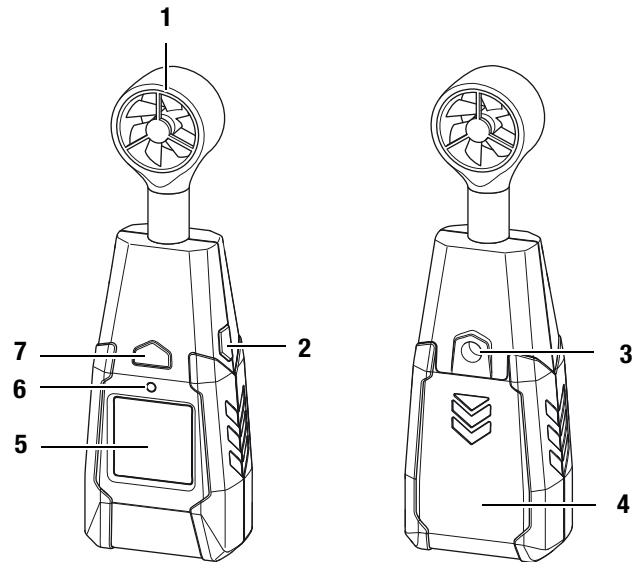
- m/s
- KPH (km/h)
- FPM (ft/min)
- mph
- KNT (kn)

Further available for the assessment of the measurements is a MAX/AVG function (maximum and average value).

The display illumination automatically adjusts to the ambient light conditions.

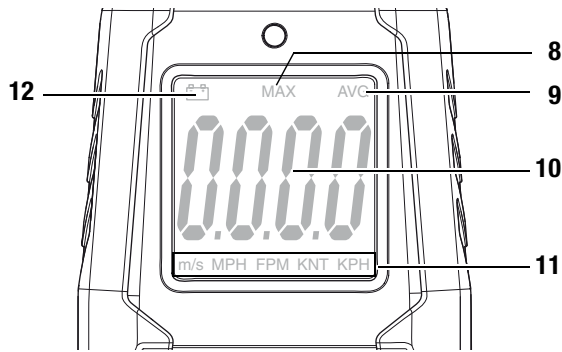
When not in use, an automatic switch-off saves the battery.

Device depiction



No.	Operating element
1	Vane with sensor
2	MAX/AVG button
3	Tripod thread
4	Battery compartment with cover
5	Display
6	Light sensor
7	On/Off key

Display



No.	Display element
8	MAX indication
9	AVG indication
10	Measurement value display
11	Indication of the velocity unit
12	Battery indication

Technical data

Model:	BA06
Weight:	145 g
Dimensions (H x W x D):	166 mm x 56 mm x 33 mm
Measuring range:	1.1 to 30.00 m/s 0.8 to 108.0 km/h 80 to 5900 ft/min 0.9 to 67.0 mph 0.8 to 58.0 kn
Resolution:	0.01 m/s 0.1 km/h 1 ft/min 0.1 mph 0.1 kn
Accuracy:	± (3 % + 0.30 m/s) ± (3 % + 1.0 km/h) ± (3 % + 40 ft/min) ± (3 % + 0.4 mph) ± (3 % + 0.4 kn)
Measuring rate:	approx. 1 measurement per second
Maximum operating altitude:	2000 m
Operating temperature:	0 to 50 °C with < 80 % RH
Storage temperature:	-10 to 60 °C with < 80 % RH
Power supply:	1 x 9 V battery
Automatic switch-off of the device:	After approx. 15 minutes of non-use

Scope of delivery

- 1 x Anemometer BA06
- 1 x 9 V battery
- 1 x Getting started guide

Safety

Carefully read the operating manual before using the device and keep it within reach!

- Do not use the device in atmospheres containing oil, sulphur, chlorine or salt.
- Protect the device from permanent direct sunlight.
- Do not remove any safety signs, stickers or labels from the device. Keep all safety signs, stickers and labels in legible condition.
- Observe the storage and operating conditions (see chapter Technical data).

Intended use

Only use the device for air velocity measurements within the measuring range specified in the technical data. Here, read and observe the technical data.

To use the device for its intended use, only use accessories and spare parts which have been approved by TROTEC®.

Improper use

Do not use the device in potentially explosive atmospheres, for measurements in liquids or at live parts. TROTEC® accepts no liability for damages resulting from improper use. In such a case, entitlements to a warranty are forfeited. Any unauthorised modifications, alterations or structural changes to the device are forbidden.

Personnel qualifications

People who use this device must:

- have read and understood the operating manual, especially the Safety chapter.

Residual risks



Danger! Keep a sufficient distance away from sources of heat.



Danger! Do not leave the packaging lying around. Children may use it as a dangerous toy.



Danger! The device is not a toy and does not belong in the hands of children.



Danger! Dangers can occur at the device when it is used by untrained people in an unprofessional or improper way. Observe the personnel qualifications.



Caution! To prevent damages to the device, do not expose it to extreme temperatures, extreme humidity or moisture.



Caution! Do not use abrasive cleaners or solvents to clean the device.

Transport and storage

Transport

For transporting the device use a suitable bag to protect it from external influences.

Storage

When the device is not being used, observe the following storage conditions:

- dry.
- protected from dust and direct sunlight.
- with a plastic cover to protect it from invasive dust, if necessary.
- The storage temperature is the same as the range given in the chapter Technical data.
- When storing the device for a long time, remove the battery.

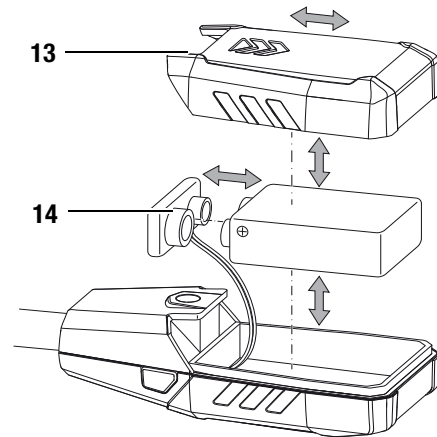
Operation

Inserting the battery

- Insert the supplied battery before first use.



Caution! Make certain that the surface of the device is dry and the device is switched off.



1. Remove the cover (13) from the device by sliding it in the direction of the arrow.
2. Use the battery clip (14) to connect the new battery with correct polarity.
3. Slide the cover (13) back on the device.

Switch-on and measurements

1. Press the on/off key (7).
 - The display is switched on and the device is ready for operation.
 - In case of poor lighting conditions the display illumination switches on automatically. The display illumination is controlled by the sensor (6).
2. Point the device at the area to be measured.
 - The measured value will be displayed.

Note:

Note that moving from a cold area to a warm area can lead to condensation forming on the device's circuit board. This physical and unavoidable effect can falsify the measurement. In this case, the display shows either no measured values or they are incorrect. Wait a few minutes until the device has become adjusted to the changed conditions before carrying out a measurement.

MAX/AVG function

By use of the MAX/AVG function you can either read the highest value or the average.

1. Press the MAX/AVG button (2).
 - The indication MAX (8) appears on the display.
 - The display now indicates the highest velocity value measured since the device was switched on.
2. Press the MAX/AVG button (2) again.
 - The indication AVG (9) appears on the display.
 - The display now indicates the average value of all previous measurements.
3. Press the MAX/AVG button (2) again.
 - The MAX/AVG function is deactivated and the current measured value is displayed.

Switch-off

The device comes equipped with an automatic switch-off function. After 15 minutes of non-use the device switches off automatically.

- Press the On/Off key (7).
 - The device will be switched off.
 - The MAX and AVG values are reset.

Maintenance and repair

Battery change

The battery is to be changed when the battery symbol (12) lights up in the display or the device can no longer be switched on. See Inserting the battery on page 3.

Cleaning

Clean the device with a soft, damp and lint-free cloth. Ensure that no moisture enters the housing. Do not use any sprays, solvents, alcohol-based cleaning agents or abrasive cleaners. Only use clean water to moisten the cloth.

Repair

Do not modify the device. Never open the device housing or install any spare parts. For repairs or device testing, contact the manufacturer.

Disposal



In the European Union, electronic equipment must not be treated as domestic waste, but must be disposed of professionally in accordance with Directive 2002/96/EC of the European Parliament and Council of 27th January 2003 concerning old electrical and electronic equipment. At the end of its life, please dispose of this instrument in a manner appropriate to the relevant legal requirements.

Declaration of conformity

in accordance with the EC Low Voltage Directive 2006/95/EC and the EC Directive 2004/108/EC about electromagnetic compatibility.

Herewith, we declare that the anemometer BA06 was developed, constructed and produced in compliance with the named EC directives.

The CE marking is found on the rear of the device.

Manufacturer:
Trotec GmbH & Co. KG
Grebbeener Straße 7
D-52525 Heinsberg

Phone: +49 2452 962-400
Fax: +49 2452 962-200
E-mail: info@trotec.com

Heinsberg, 31/03/2014



Managing Director: Detlef von der Lieck

TROTEC GmbH & Co. KG

Grebber Str. 7
52525 Heinsberg
Deutschland

☎ +49 2452 962-0

☎ +49 2452 962-200

✉ info@trotec.com

www.trotec.com