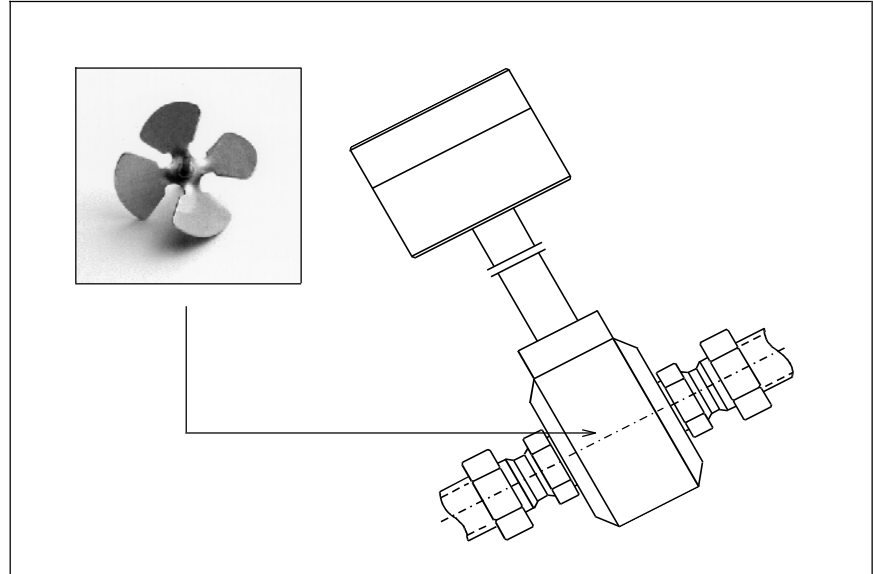
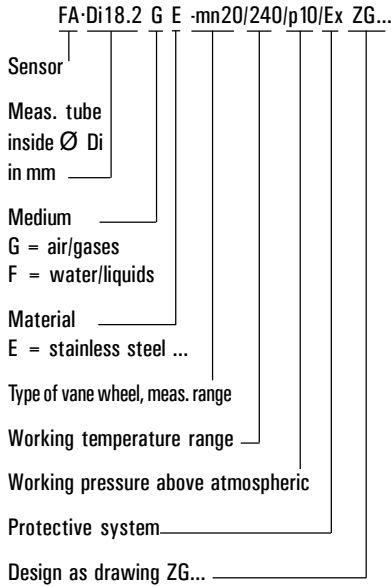


## Price List Measuring Tubes FA·Di 18.2GE...240 °C



The following applies to all measuring tubes as in drawings 3a and 5a

**FA Di 18.2 GE - mn... / 240 / p10/ZG...:**

Measuring ranges  $v_{local}$  with vane wheel type

mn20 G: 0.4 ... 20 m/s

mn40 G: 0.5 ... 40 m/s

vane wheel made of stainless steel

With developed flow profile, irrotational flow, the relation  $v_{mean} = PF \cdot v_{local}$  with the profile factor PF = 0.84:

$$1 \text{ m/s}_{local} \cong 0.84 \text{ m/s}_{mean}$$

$$1 \text{ m/s}_{local} \cong 13.11 \text{ actual l/min}$$

Working temperature range: -20 °C... +240 °C

Working pressure : up to 10 bar/1 MPa

Materials which come into contact with the medium E : stainless steel, ceramics, hard metal, VITON

Fitting attitude : as required

Connection : terminal screws

Connection housing : AS80,  
L·W·H = 80·80·60 mm  
for 0 °C ... +50 °C

Screwed cable glands : PG11, for cable with  
Ø 5...10 mm

Protective system : sensor IP68  
connection housing IP65

**Other models**

Ex ia IIC T6, Measuring range up to 80 m/s or 120 m/s ... on request

**User's Information**

for measuring with vane wheel flow sensors, see also Data Sheet FA.

For measuring tubes as in drawing 1a

**FA Di 18.2 GE - mn... / 200 / p10 ZG1a**

the same specifications as for measuring tubes FA Di 18.2 GE - mn... / 240 / p10 ZG3a and ZG5a apply, however working temperature range pipe fitting with TEFLON seal : -20 °C ... +200 °C working temperature otherwise continuous : -20 °C ... +240 °C

**Standard:** output v/FA, optional with

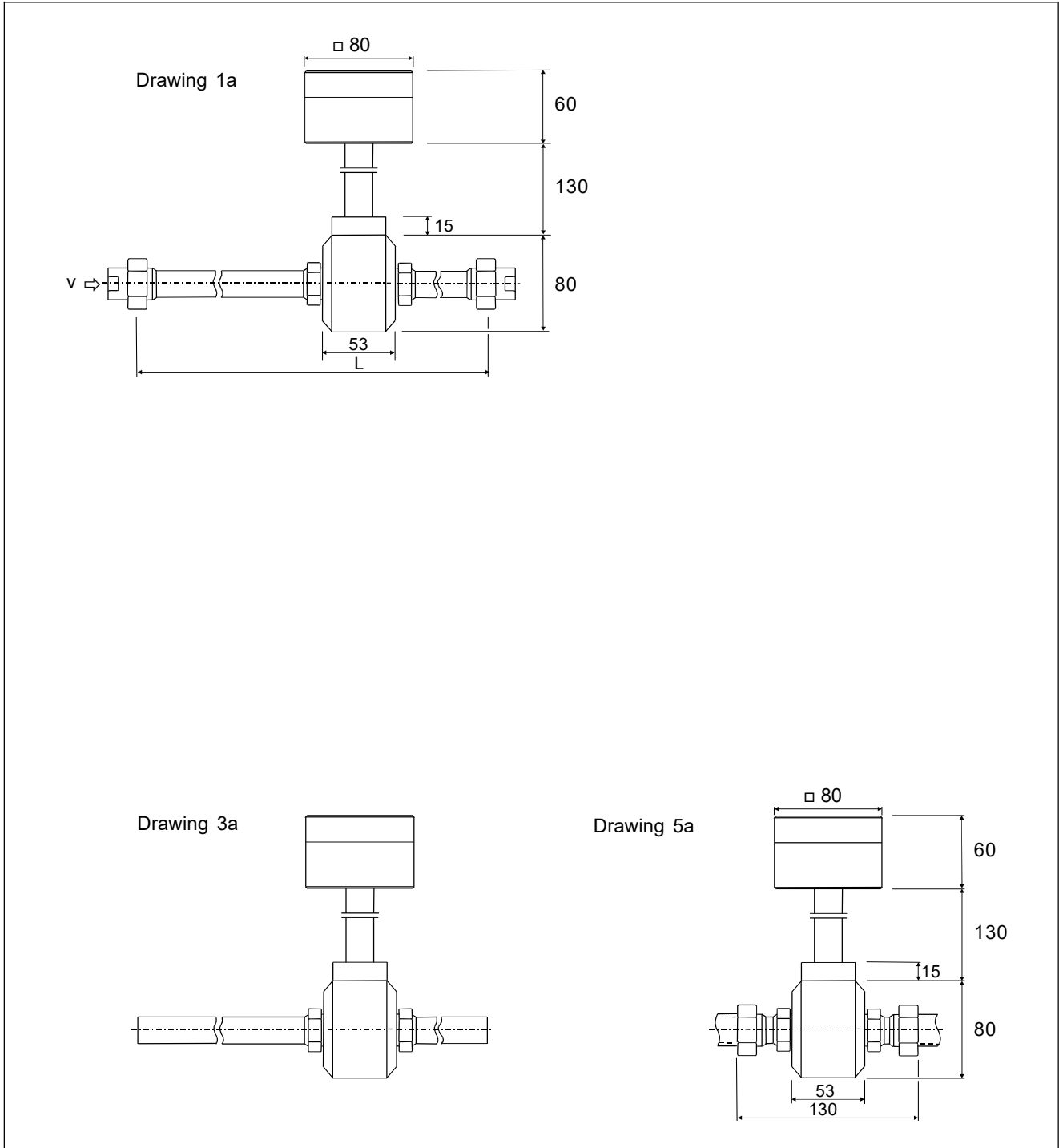
**integrated transducer** / 24 VDC / AS80

Output: 4...20 mA = 0...terminal value G in m/s

Measuring tube as drawing ZG ...	Type of vane wheel	Meas. range G in actual l/min ≈ ...	Installation length L total ≈ ... mm	Input/output section in mm b = by customer	Pipe connection V = screwed conn. SRV = cutting ring V	Article no.
FA·Di 18.2... ZG5a	mn20	5.3 ... 262	53+SRV	b: 360/180	SRV for pipes 22·2	b001/108
FA·Di 18.2... ZG5a	mn40	6.6 ... 524	53+SRV	b: 360/180	SRV for pipes 22·2	b001/109
FA·Di 18.2... ZG1a	mn20	5.3 ... 262	580	360/180	PipeV G 1/2"	b001/110
FA·Di 18.2... ZG1a	mn40	6.6 ... 524	580	360/180	PipeV G 1/2"	b001/111
FA·Di 18.2... ZG3a	mn20	5.3 ... 262	580	360/180	Pipes oØ 22 mm <sup>1)</sup>	b001/112
FA·Di 18.2... ZG3a	mn40	6.6 ... 524	580	360/180	Pipes oØ 22 mm <sup>1)</sup>	b001/113

<sup>1)</sup> oØ = outside diameter

## Designs of Measuring Tubes FA·Di18.2GE...240 °C



**Höntzsch GmbH**  
P.O. Box 1324 D-71303 Waiblingen  
Gottlieb-Daimler-Straße 37  
D-71334 Waiblingen (Hegnach)  
Telephone 07151/1716-0  
Facsimile 07151/58402

**จัดจำหน่ายโดย**  
**บริษัท โอเมก้า เมชเชอริง อินสตรูमेंท์ จำกัด**  
50/23 หมู่ 3 ต.มหาสวัสดิ์ อ.บางกรวย จ.นนทบุรี 11130  
Tel : 02 105 4676  
Fax : 02 903 0080 ext. 6867  
Email : info@omi.co.th