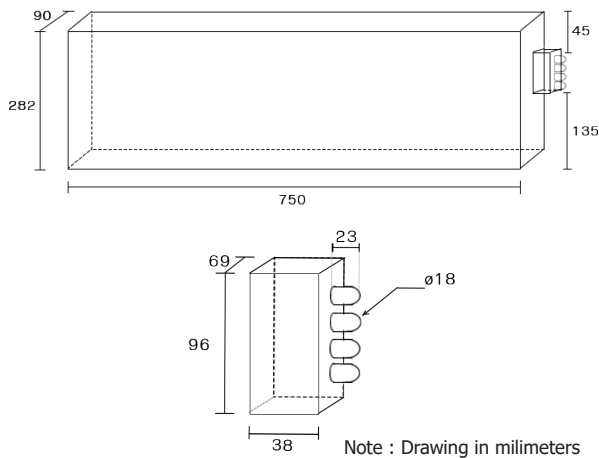


## Display Indicator DA-750



### Drawing



### Features

- The indicator has a big display, 7 inches.
- The input of indicator is able to receive a signal from TC, Pt100, mA, V and mV.
- The outputs are 4-20mA and Load resistance 600Ω Max.
- High and low alarm can be allowed to set up.
- Low cost.

### Technical Data

**Signal Input :** }  
**Accuracy :** } **In a table of input parameter**  
**Resolution :** }  
**Display type :** 4 Digit, LED 7 segment  
**Digit dimension :** 180 x 100 mm (Width x Length)  
**Operating temperature :** 0...50 °C  
**Operating humidity :** 20...90%RH  
**Signal output :** 4...20mA and Load resistance 600Ω Max  
**Relay output :** x2Ch SPST Relay 1A/230Vac  
**Power supply :** 100...240Vac  
**Current consumption :** <100mA (220Vac/50Hz)  
**Protection :** IP52  
**Dimension :** 282 x 750 x 90 mm (W x L x D)  
**Body material :** Aluminium

### Table of input parameter

Input type	Measuring rage	Resolution	Accuracy	Input resistance
TC K	-50...+1200°C	1°C	±0.5%F.S±3digits	>100KΩ
TC J	0...1200°C	1°C	±0.5%F.S±3digits	>100KΩ
TC E	0...850°C	1°C	±0.5%F.S±3digits	>100KΩ
TC T	-50...+400°C	1°C	±0.5%F.S±3digits	>100KΩ
TC N	-50...+1200°C	1°C	±0.5%F.S±3digits	>100KΩ
PT100	-199.9...+650°C	0.1°C	±0.5%F.S±3digits	(0.2mA)
CU50	-50...+150°C	0.1°C	±0.5%F.S±3digits	(0.2mA)
CU100	-50...+150°C	0.1°C	±0.5%F.S±3digits	(0.2mA)
0-50mV	-1999...9999	1 digit	±0.5%F.S±3digits	>100KΩ
4-20mA	-1999...9999	1 digit	±0.5%F.S±3digits	<150KΩ
0-10V	-1999...9999	1 digit	±0.5%F.S±3digits	>47KΩ
0-400Ω	-1999...9999	1 digit	±0.5%F.S±3digits	>100KΩ

[www.omi.co.th](http://www.omi.co.th)

บริษัท โอเมกา เมชเชอริง อินสตรูเมนต์ จำกัด  
 Tel : 02-105-4676  
 Fax : 02-903-0080 ext. 6867  
 Email : info@omi.co.th  
 Line : @omith