

Ultrasonic Level Meter UD800



Display

10/21C **0.641** M

level

10/21C **05.61** MA

current

10/21C **20.9** C

temperature

www.omi.co.th

Omega Measuring Instrument Co., Ltd.

Tel : 02-105-4676

Fax : 02-903-0080 ext. 6867

Email : info@omi.co.th

Line : @omith

Features

- Not effected by material property, such as pressure environments, viscosity and specific gravity
- Integrated keypad with security code
- Easy installation and low operating costs
- Can be used in a versatile of application
- Easy to set program no need to train personal
- Fully isolated analog 4-20ma output
- Better accuracy and stability in difficult conditions
- Internal temperature compensation improves accuracy
- Maintenance-free

Technical Data

Measuring range : 0...5/10/15 m

Accuracy : ± 0.3 %FS

Resolution : 1 mm

Temperature range : 0...80 °C

Blind zone : 0.4m (0...5m), 0.5m (0...10m), 1m (0...15m)

Beam angle : 12°

Display : OLED

Display mode : level (m), current (mA), temperature (°C), level scale (%)

Frequency : 20...350 kHz

Body material : ABS, PP (Polypropylene)

Signal output : 4... 20 mA (2-wire), RS-485 (option)

Relay output : 250 Vac, 5 A or 24 Vdc, 10 A x 2 Channel (option)

Electrical interface : M20x1.5

Installation : M60x2

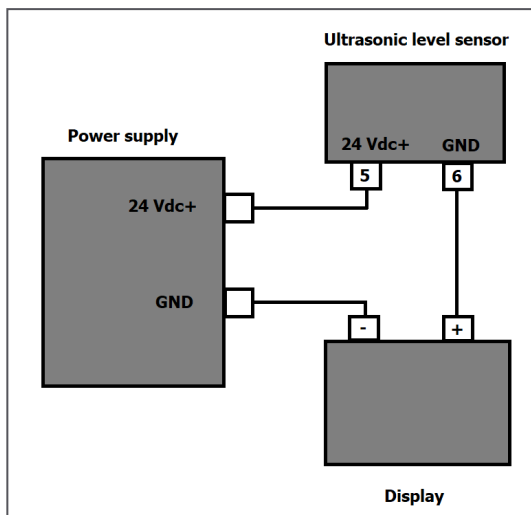
Power consumption : <1.5 W

Power supply : 24 Vdc

Dimension : Ø92 mm x 198 mm

Protection : IP68 (sensor), IP65 (body)

Wiring diagram

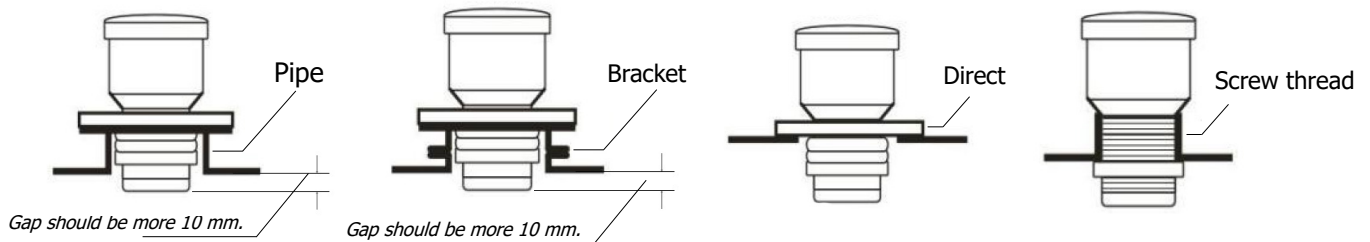


Ultrasonic Level Meter UD800

Installation & precaution

- Process connecting**

Ultrasonic level meter can be installed by flange or $\Phi 60$ hole whatever installation way, make sure the sensor bottom through the installation hole or flange



- Position of installation**

Sensor should be placed where there is no obstacle between emission surfaces and measured liquid, it also should be far away from feeding throats (fig.1). the probe needs to be typically installed at a distance from the side wall $1/3$ of the container wall to the center feed inlet. When the material piles up, it will form a cone (fig.2).

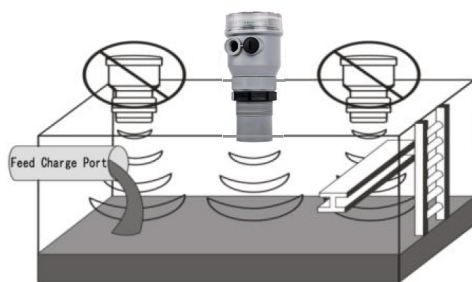


fig.1

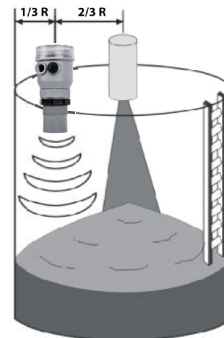
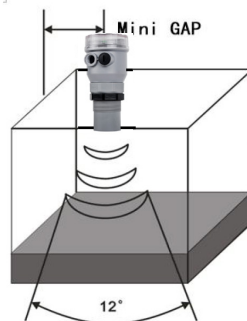


fig.2

- Beam angle**

Otherwise the obstacle, a beam angle is an important. It is 12 degrees and affect to measuring if user install too close a wall. The beam angle will be reflect a wall. it will be cause of wrong measurement.



Ultrasonic Level Meter UD800

Ordering code

Series : UD800-A-B-C		
A : Measuring range		
5 : 0-5 m		
10 : 0-10 m		
15 : 0-15 m		
B : Relay (option)		
RL2 : with relay 2 channels		
RL4 : with relay 4 channels		
- : none		
C : Communication (option)		
RS : with RS-485		
- : none		

Example : UD800-5-RL2-RS

Ultrasonic level sensor, measuring range 0-5 m, with relay output 2 channels, with RS485.

www.omi.co.th

Omega Measuring Instrument Co., Ltd.

Tel : 02-105-4676

Fax : 02-903-0080 ext. 6867

Email : info@omi.co.th

Line : @omith